

SUZUKI

PARTS CATALOGUE

GSX150L6-2



SEP-2015

1ST EDITION

INFORMATION
ILLUSTRATION INDEX

1

ENGINE
TRANSMISSION

2

ELECTRICAL

3

BODY

4

PARTS NUMBER INDEX

5

FIG. NO.	TITLE	ADDRESS NO.
102A	CYLINDER HEAD COVER	1-B-2
103A	CYLINDER HEAD	1-B-3
107A	CYLINDER	1-B-4
108A	CRANKCASE	1-B-5
112A	CRANKCASE COVER	1-B-6
120A	CRANKSHAFT	1-B-7
120A	CRANKSHAFT	1-B-8
122A	STARTER CLUTCH	1-B-9
124A	CRANK BALANCER	1-B-10
126A	CAMSHAFT/VALVE	1-B-11
127A	CAM CHAIN	1-B-12
130A	CARBURETOR	1-B-13
130A	CARBURETOR	1-B-14
155A	AIR CLEANER	1-B-15
163A	MUFFLER	1-C-2
170A	OIL PUMP	1-C-3
189A	2ND AIR	1-C-4
201A	CLUTCH	1-C-5
206A	TRANSMISSION	1-C-6
206A	TRANSMISSION	1-C-7
212A	GEAR SHIFTING	1-C-8
212A	GEAR SHIFTING	1-C-9
240A	KICK STARTER	1-C-10
301A	STARTING MOTOR	1-C-11
303A	MAGNETO	1-C-12
310A	BATTERY	1-C-13
312A	ELECTRICAL	1-C-14
330A	SPEEDOMETER	1-C-15
333A	HEADLAMP	1-D-2

FIG. NO.	TITLE	ADDRESS NO.
334A	URNSIGNAL LAMP	1-D-3
339A	REAR COMBINATION LAMP	1-D-4
350A	WIRING HARNESS	1-D-5
352A	LOCK SET	1-D-6
355A	HANDLE SWITCH	1-D-7
401A	FRAME	1-D-8
407A	STAND	1-D-9
410A	PILLION RIDER HANDLE	1-D-10
415A	FOOTREST	1-D-11
420A	FUEL TANK	1-D-12
421A	FUEL COCK	1-D-13
423A	FUEL TANK COVER	1-D-14
424A	FUEL TANK SIDE COVER	1-D-15
445A	FRAME COVER	1-E-2
446A	FRAME LOWER COVER	1-E-3
451A	HEADLAMP HOUSING	1-E-4
460A	FRONT FENDER	1-E-5
462A	HANDLEBAR	1-E-6
467A	HANDLE LEVER	1-E-7
474A	REAR FENDER	1-E-8
496A	LABEL	1-E-9
505A	SEAT	1-E-10
521A	FRONT FORK DAMPER	1-E-11
521A	FRONT FORK DAMPER	1-E-12
524A	STEERING STEM	1-E-13
530A	FRONT WHEEL	1-E-14
535A	FRONT CALIPER	1-F-15
536A	FRONT BRAKE HOSE	1-F-2
537A	FRONT MASTER CYLINDER	1-F-3

FIG. NO.	TITLE	ADDRESS NO.
541A	REAR SWINGINGARM	1-F-4
542A	CHAIN CASE	1-F-5
550A	REAR WHEEL	1-F-6
550A	REAR WHEEL	1-F-7
970A	OPTIONAL (BUMPER SET)	1-F-8
970B	OPTIONAL (MUFFLER COVER)	1-F-9

FIG. NO.	TITLE	ADDRESS NO.
----------	-------	-------------

PREFACE

When it becomes necessary to replace parts on SUZUKI MOTORCYCLES, always use SUZUKI GENUINE PARTS which have passed a strict inspection which guarantees quality and performance. This parts catalogue covers the list of all service parts for SUZUKI GSX150L6-2.

INSTRUCTIONS FOR QUOTING THE CATALOGUE

1. **DIMENSIONS**

Dimensions of the parts in this catalogue are indicated in unit millimeters.

2. **ABBREVIATIONS**

Abbreviations used in this catalogue are as follows:

AR	: As required	NT	: Number of teeth
ASSY	: Assembly	OPT	: Optional
E.NO.	: Engine number	OS	: Over size
F.NO.	: Frame number	STD	: Standard
D	: Diameter of material	T	: Thickness
ID	: Inside diameter	US	: Under size
OD	: Outside diameter	W	: Width
L	: Length		
LH	: Left hand side		
RH	: Right hand side		
~ 100045	: Up to F.NO.A100-100045		
100046	: From F.NO.A100-100046		

12 x 34 x 5.6..... Figures in the description column
 | | | show the dimensions of parts.
 ID OD T(or W,L)

→ 12345-56781 (Parts No.) : indicates that the parts number was changed to 12345-56781 and the new parts are interchangeable with the former ones but the former ones are not interchangeable with new ones.

← 12345-56781 (Parts No.) : indicates that the former and new parts are interchangeable with each other and both are usable.

3) **INNER PARTS OF ASSEMBLY**

Part name with a dot (.) in front as shown in the description column indicates the component of the assembly also available individually.

4) **MODIFICATION NOTICE**

A parts bulletin will be sent to you on all occasions when changes in parts occur, including interchangeable modifications between new parts and old ones.

5. **NOTE**

5-1. There are some different parts from those of production models among spare parts for the administrative reasons and common use of them with other models.

5-2. In respect of rubber hoses and vinyl tubes, please be sure to use them by cutting off according to the length mentioned on parts catalogue or what is actually required on the vehicle.

5-3. Note that the drawings on the illustration page are for ready reference of spare parts number, not to be used as an assembly manual.
 When assembling, use "SUZUKI SERVICE MANUAL".

6. **SPECIFICATION CODE**

This catalogue contains the parts for the model designed for the following spec.; spec. code : P74.

7. **SERIAL FRAME NUMBER**

GSX150L6-2 : MB8NG4BAHF820001

*Note

1) 9th Digit of frame number signifies month of production

MONTH	CODE
January	A
February	B
March	C
April	D
May	E
June	F
July	G
August	H
September	J
October	K
November	L
December	M

2) 10Th digit of frame no signifies year of production

YEAR	CODE
2010	A
2011	B
2012	C
2013	D
2014	E
2015	F





**COLOUR CHART
TABLEAU COULEURS**

COLOR NO. NO DE COULEUR	COLOUR DESCRIPTION DESCRIPTION DE COULEUR	COLOR NO. NO DE COULEUR	COLOUR DESCRIPTION DESCRIPTION DE COULEUR
EAW1	PTA,PVG		
EAY	UYMD,YGR,07G,YVB		
EAY	VYMD,YGR,07G,19A		
EAY	WYMD,YGR,07G,YHG		
EAY1	YMD,YGR,07G,YSF		
EAY	2YMD,YMC		
EPT	ALTHR.BLACK		
EPVG	STITCHRED		
EQC3	MET.MAT BLACK		
EYGR	PEARL MAYA ORANGE		
EYHF	PHANTOM GRAY METALLIC		
EYH	G00RT GRAY METALLIC		
EYK	SFIERY RED		
EYK	VMET.MAT BLACK NO.2		
EYMC	MAT TITANIUM SILVER METALLIC		
EYM	DMISTIC SILVER METALLIC		
EYSF	BLUE METALLIC		
EYV	BGLASS SPARKLE BLACK		
E019	BLACK		
E07	GPURE RED		
E19A	CANDY ANTARES RED		
E291	BLACK (SEMI-GLOSS)		

MILLIMETER → INCH CONVERSION CHART

	0	1	2	3	4	5	6	7	8	9
00	.000	.039	.079	.118	.157	.197	.236	.276	.315	.354
10	.394	.433	.472	.512	.551	.591	.630	.669	.709	.748
20	.787	.827	.866	.906	.945	.984	1.024	1.063	1.102	1.142
30	1.181	1.220	1.260	1.299	1.339	1.378	1.417	1.457	1.496	1.535
40	1.575	1.614	1.654	1.693	1.732	1.772	1.811	1.850	1.890	1.929
50	1.969	2.008	2.047	2.087	2.126	2.165	2.205	2.214	2.283	2.323
60	2.362	2.402	2.441	2.480	2.520	2.559	2.598	2.638	2.677	2.717
70	2.756	2.795	2.835	2.874	2.913	2.953	2.992	3.031	3.071	3.110
80	3.150	3.189	3.228	3.268	3.307	3.346	3.386	3.426	3.465	3.504
90	3.543	3.583	3.622	3.622	3.701	3.740	3.780	3.819	3.858	3.896

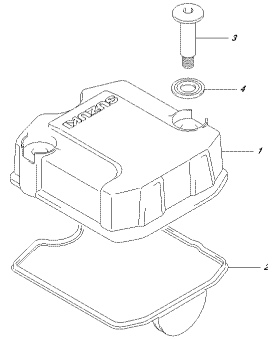
How to read

	0	1	2	3	4
00	---	---	---	---	---
10	---	---	---	---	---
20	---	---	---	0.906	---
30	---	---	---	---	---

23 millimeters equal 0.906 inch

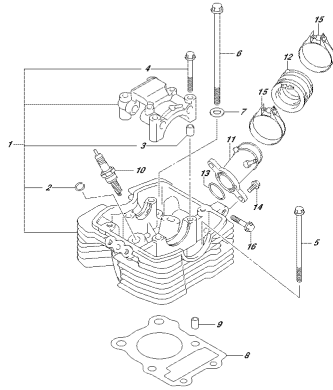
Contents are subject to change without notice or obligation.

FIG. 102A



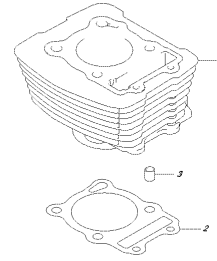
GSX600B-E_PPL_102A
CYLINDER HEAD COVER

FIG. 103A



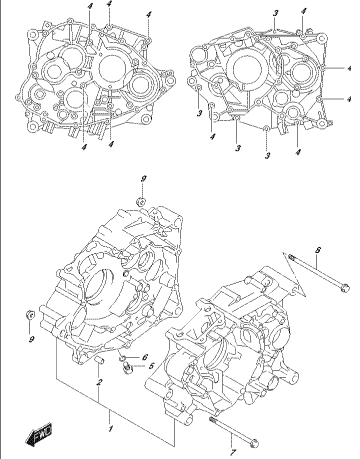
GSX600B-E_PPL_103A
CYLINDER HEAD

FIG. 107A



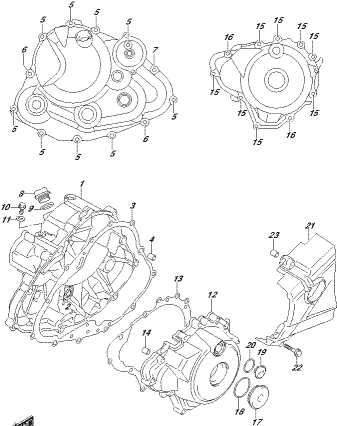
GSX600B-E_PPL_107A
PISTON

FIG. 108A



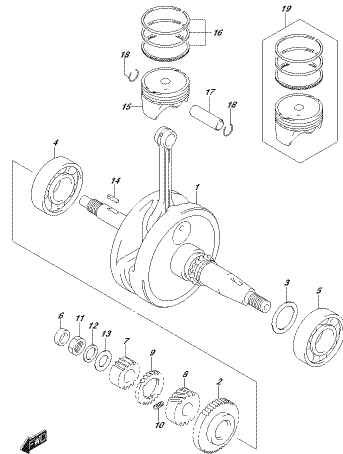
GSX600B-E_PPL_108A
CRANKCASE

FIG. 112A



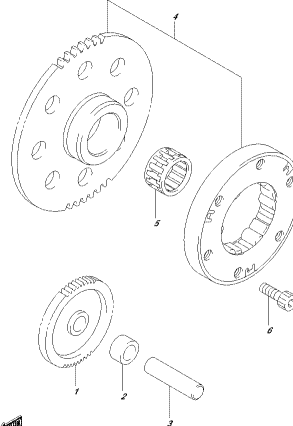
GSX600B-E_PPL_112A
CRANKCASE COVER

FIG. 120A



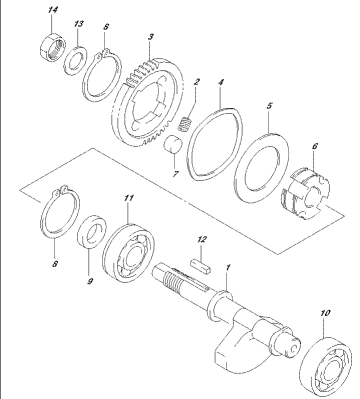
GSX600B-E_PPL_120A
CLUTCH ASSEMBLY

FIG. 122A



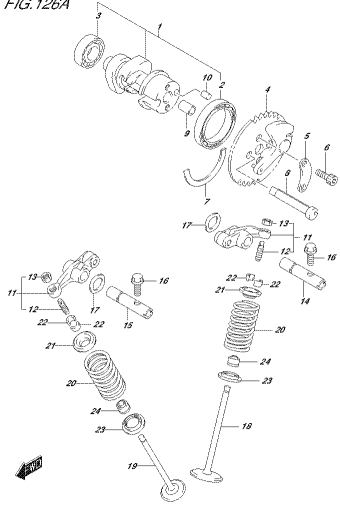
GSX600B-E_PPL_122A
STARTER CLUTCH

FIG. 124A



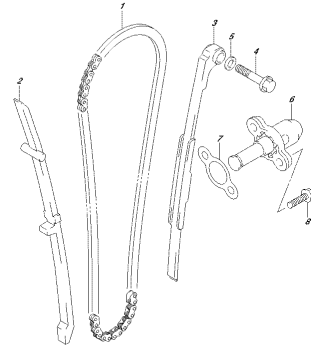
GSX600B-E_PPL_124A
CRANKSHAFT

FIG. 126A



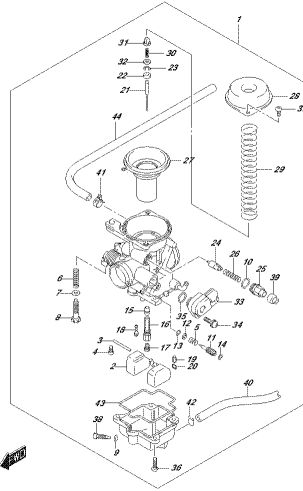
GSX1300L-E_PPL_1584
CAG50475K4C

FIG. 127A



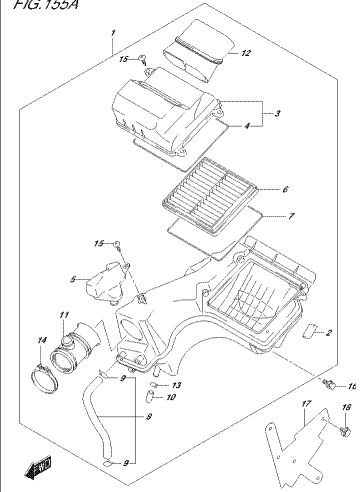
GSX1300L-E_PPL_1574
CAG5046W7

FIG. 130A



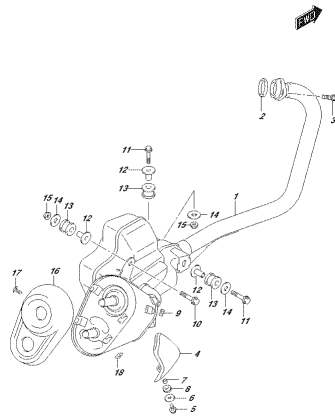
GSX1300L-E_PPL_1584
CAG5046E20

FIG. 155A



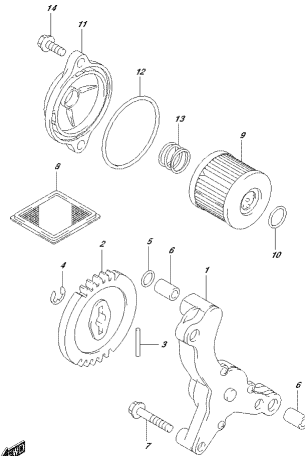
GSX1300L-E_PPL_1584
AIR CLEANER

FIG. 163A



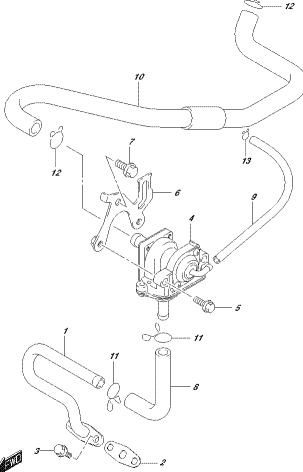
GSX1300L-E_PPL_1634
SUPPLIER

FIG. 170A



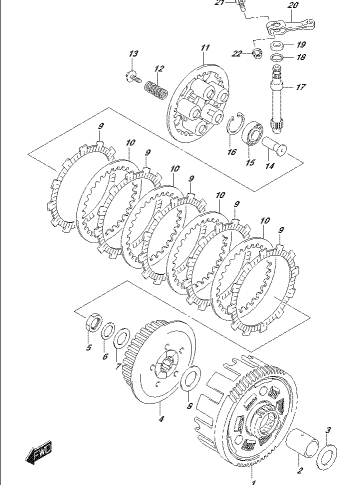
GSX1300L-E_PPL_1704
OIL PUMP

FIG. 189A



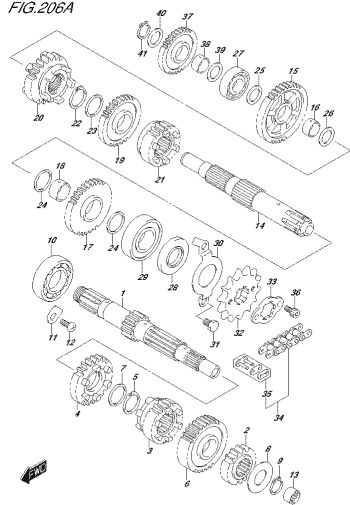
GSX1300L-E_PPL_1894
2ND AIR

FIG. 201A



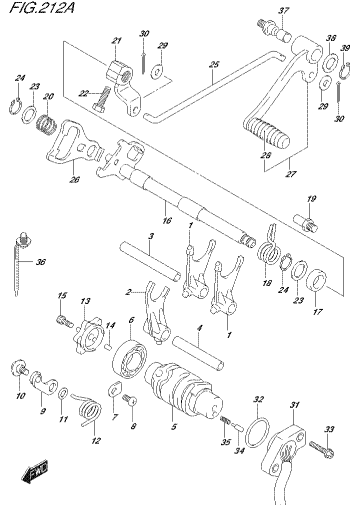
GSX1300L-E_PPL_2014
CLUTCH

FIG.206A



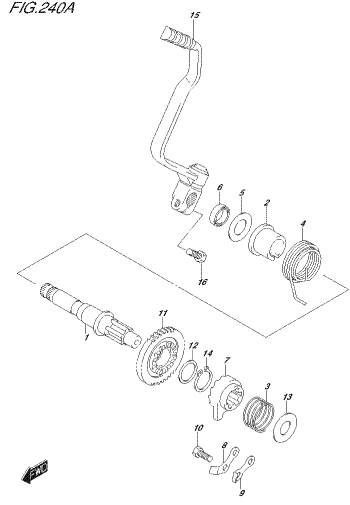
GSX100B-E_PPL_004
7/24/2018/20/1

FIG.212A



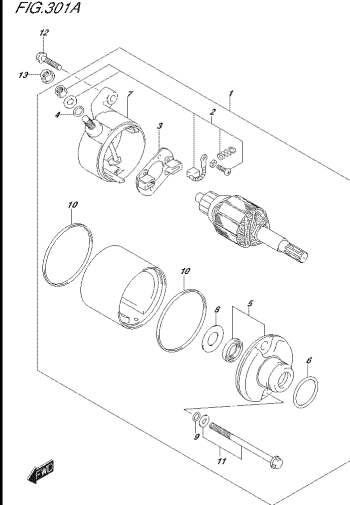
GSX100B-E_PPL_014
05/24/2018/21/2

FIG.240A



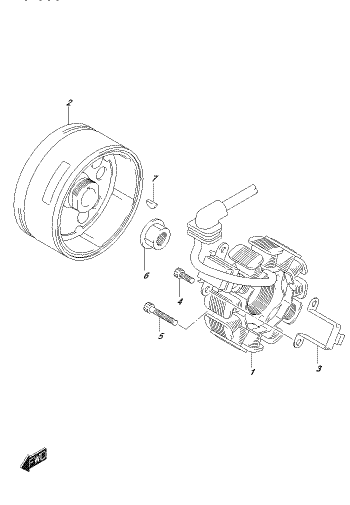
GSX100B-E_PPL_044
01/24/2018/22

FIG.301A



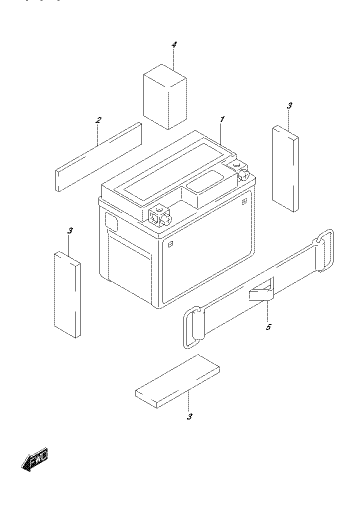
GSX100B-E_PPL_014
01/24/2018/22/2

FIG.303A



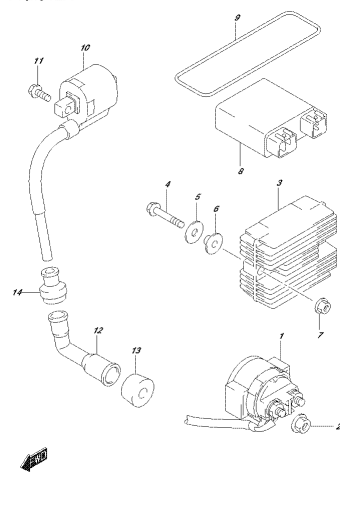
GSX100B-E_PPL_034
MAGNETO

FIG.310A



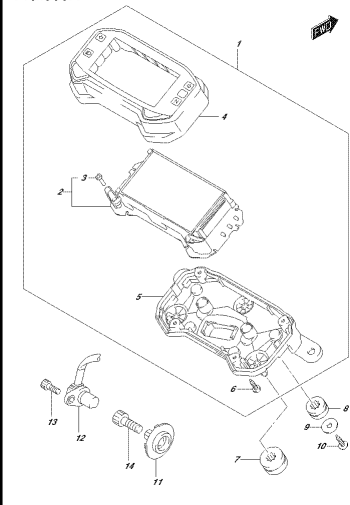
GSX100B-E_PPL_014
BATTERY

FIG.312A



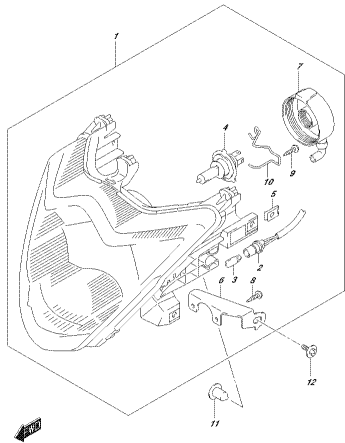
GSX100B-E_PPL_014
ELECTRICAL

FIG.330A



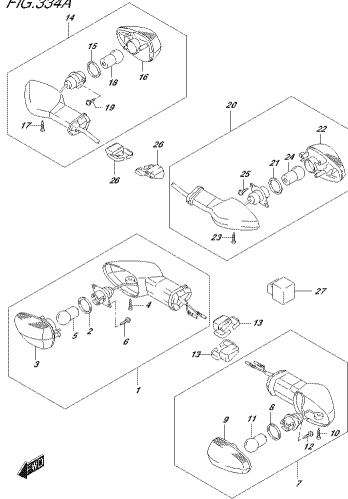
GSX100B-E_PPL_034
SPEEDOMETER

FIG.333A



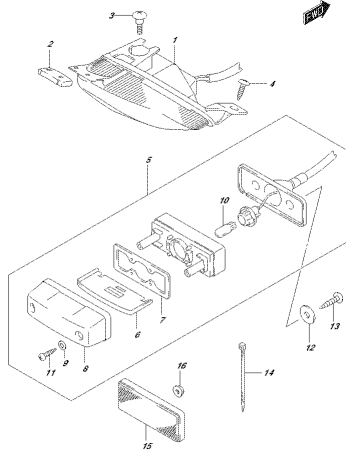
02X13318-2_PRL_333A
HEADLAMP

FIG.334A



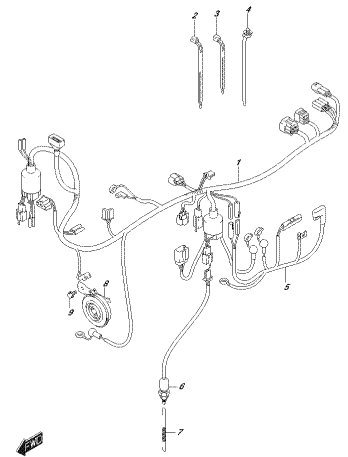
02X13318-2_PRL_334A
FUEL SYSTEM CLAMP

FIG.339A



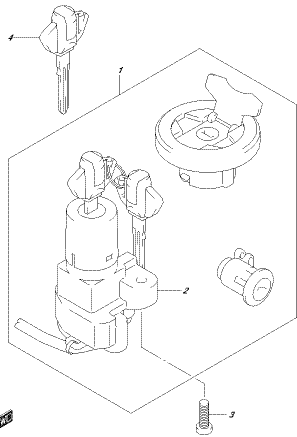
02X13318-2_PRL_339A
REAR CONSOLE ROLLUP

FIG.350A



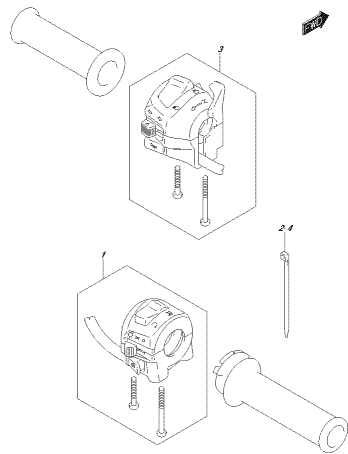
02X13318-2_PRL_350A
WIRING HARNESS

FIG.352A



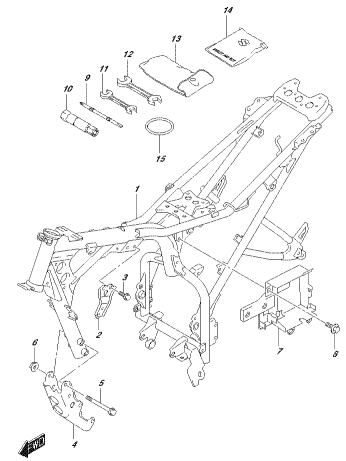
02X13318-2_PRL_352A
LOCK SET

FIG.355A



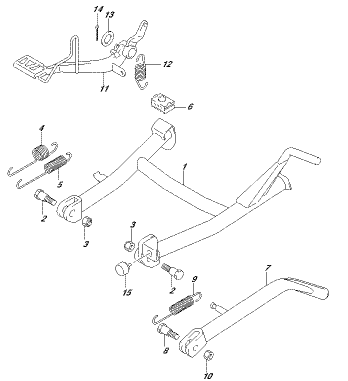
02X13318-2_PRL_355A
HANDLE SWITCH

FIG.401A



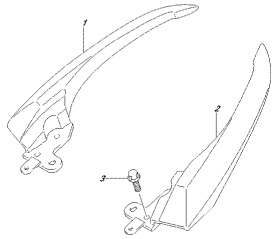
02X13318-2_PRL_401A
FRAME

FIG.407A



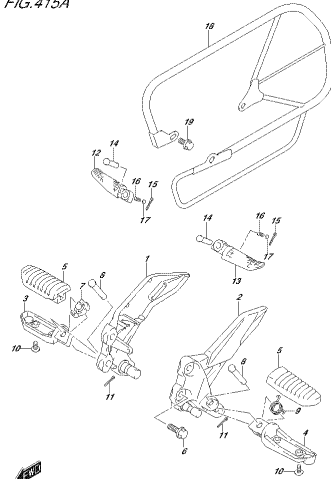
02X13318-2_PRL_407A
STAND

FIG. 410A



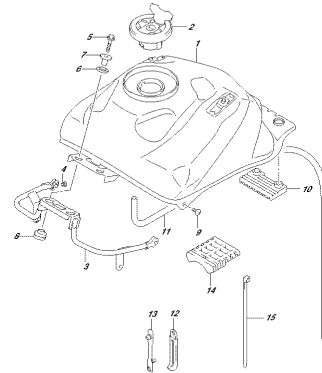
02FK08L02.PPL_410A
FUEL TANK HANDLE

FIG. 415A



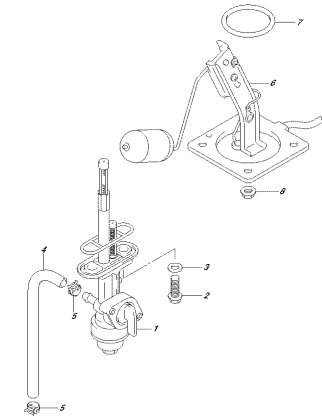
02FK08L02.PPL_415A
FUEL TANK HANDLE

FIG. 420A



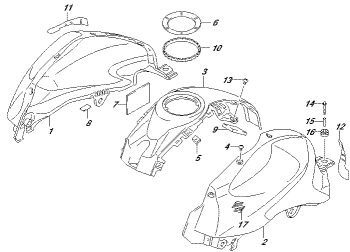
02FK08L02.PPL_420A
FUEL TANK

FIG. 421A



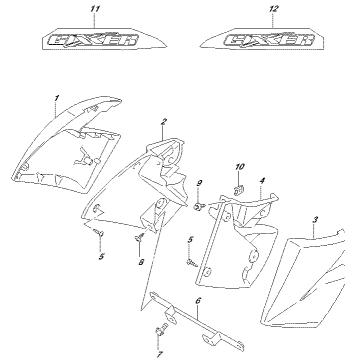
02FK08L02.PPL_421A
FUEL TANK

FIG. 423A



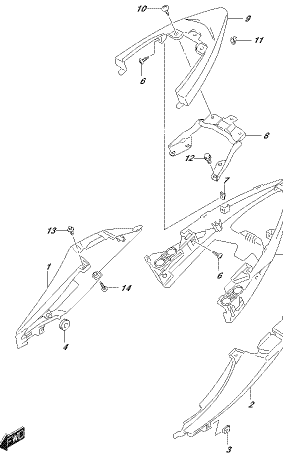
02FK08L02.PPL_423A
FUEL TANK COVER

FIG. 424A



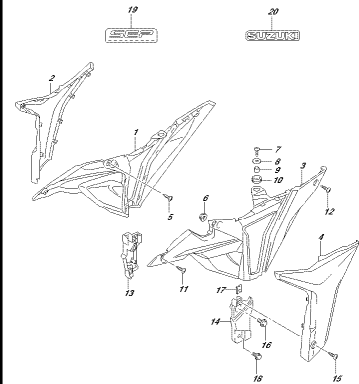
02FK08L02.PPL_424A
FUEL TANK SIDE COVER

FIG. 445A



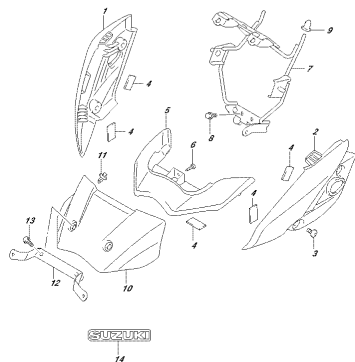
02FK08L02.PPL_445A
FRAME COVER

FIG. 446A



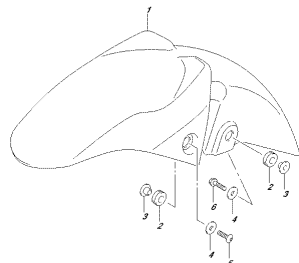
02FK08L02.PPL_446A
FRAME LOWER COVER

FIG.451A



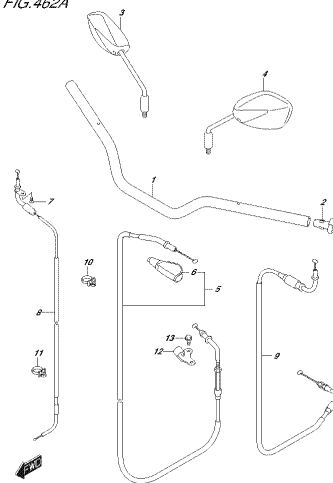
GSFK06L2.P1L_451A
HEADLAMP HEADLIGHT

FIG.460A



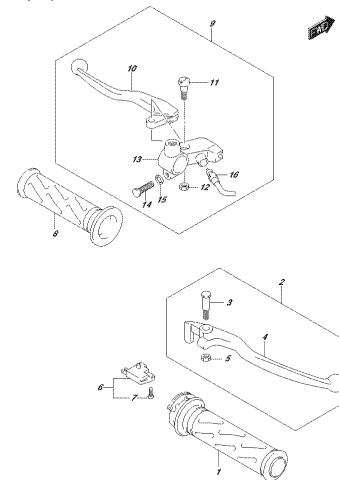
GSFK06L2.P1L_460A
FRONT FENDER

FIG.462A



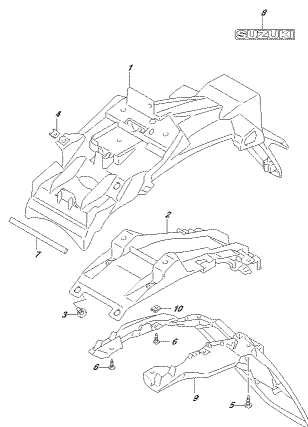
GSFK06L2.P1L_462A
HANDLEBAR

FIG.467A



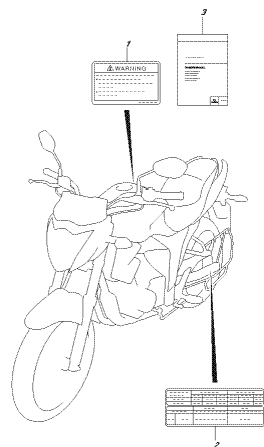
GSFK06L2.P1L_467A
HANDLE LEVER

FIG.474A



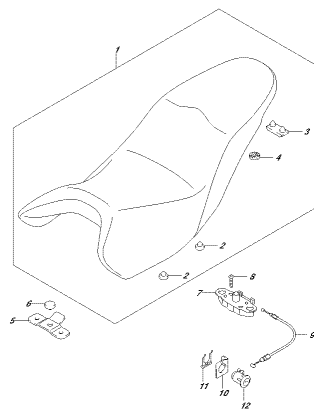
GSFK06L2.P1L_474A
REAR FENDER

FIG.496A



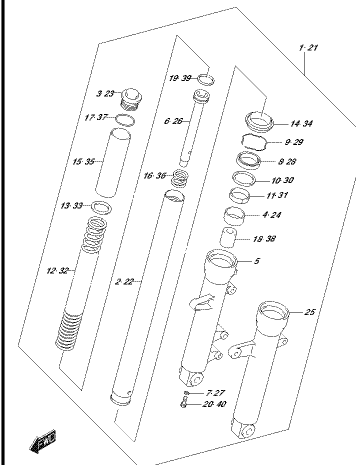
GSFK06L2.P1L_496A
SEAT

FIG.505A



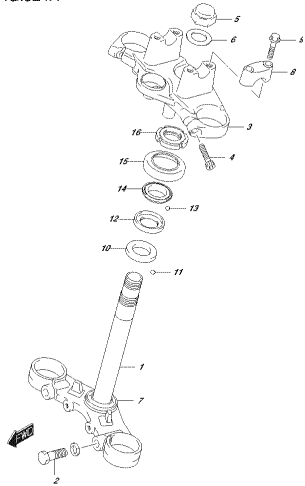
GSFK06L2.P1L_505A
SEAT

FIG.521A



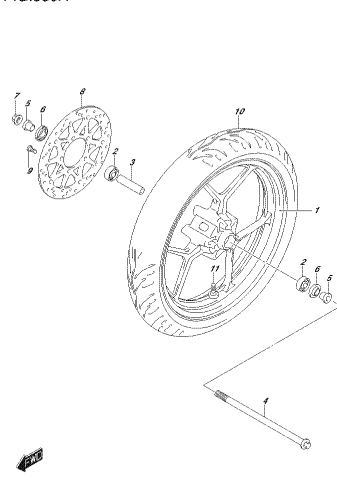
GSFK06L2.P1L_521A
FRONT FORK DAMPER

FIG.524A



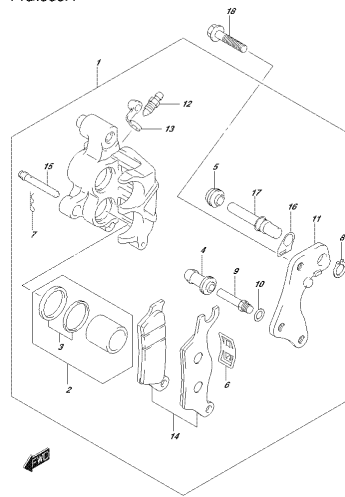
02F40L6.0.PM_524A
STEERING STEM

FIG.530A



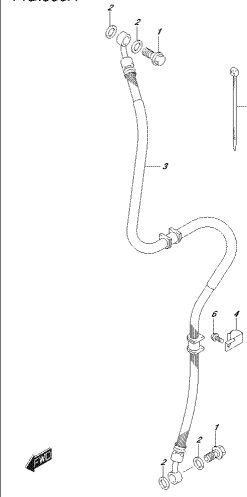
02F40L6.0.PM_530A
WHEEL

FIG.535A



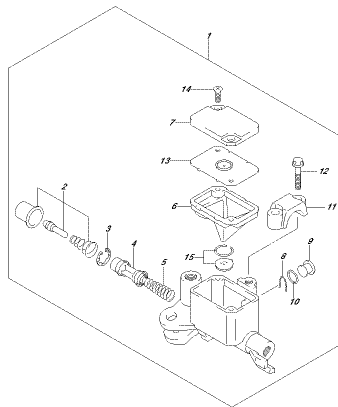
02F40L6.0.PM_535A
FORK FORKES

FIG.536A



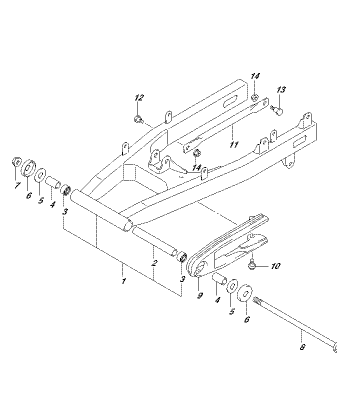
02F40L6.0.PM_536A
FRONT BRAKE HOSE

FIG.537A



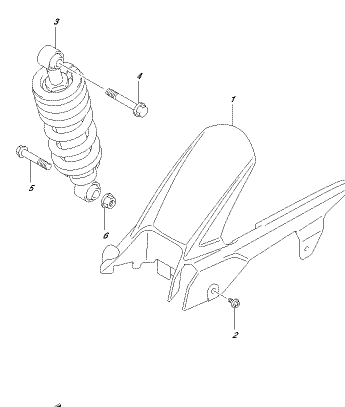
02F40L6.0.PM_537A
FRONT MASTER CYLINDER

FIG.541A



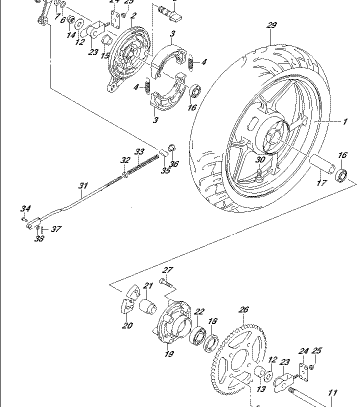
02F40L6.0.PM_541A
REAR SWINGARM

FIG.542A



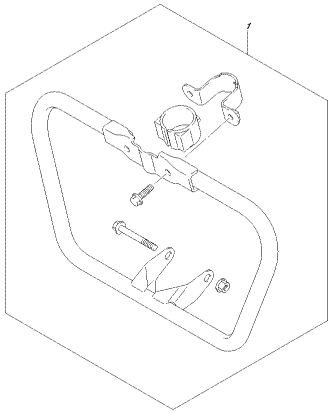
02F40L6.0.PM_542A
CHAIN CASE

FIG.550A



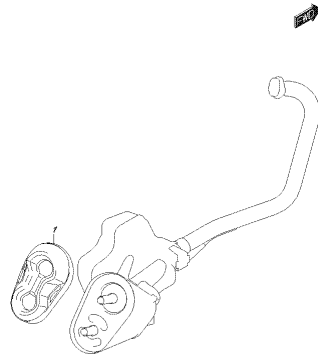
02F40L6.0.PM_550A
REAR WHEEL

FIG. 9.70A



GDPL001.012_P01_070A
07/2014

FIG. 9.70B



GDPL001.012_P01_070B
07/2014

FIG.102A

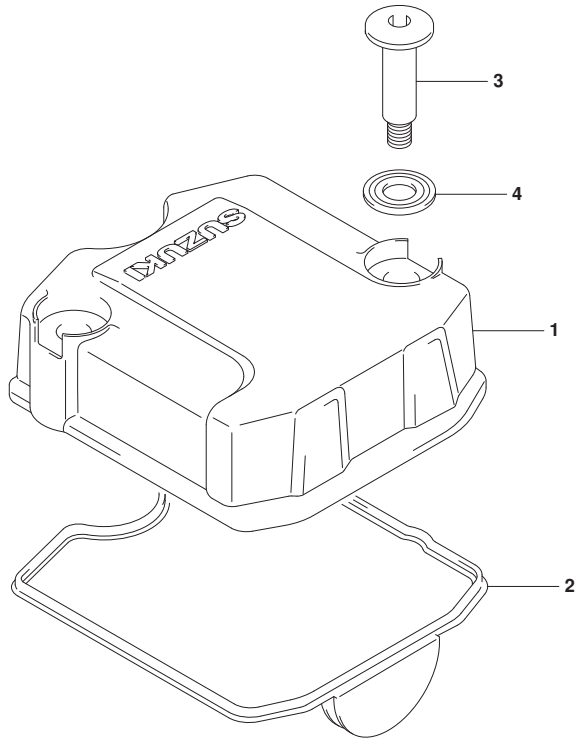


FIG.102A (1-B-2) CYLINDER HEAD COVER

REF NO.	PART NO.	DESCRIPTION	Q'TY	REMARKS
1	11171-34J00-000	COVER, CYLINDER HEAD	1	
2	11173-34J00-000	GASKET, CYLINDER HEAD COVER	1	
3	09106-07011-000	BOLT (7X37)	2	
4	11191-27E30-000	WASHER, HEAD COVER	2	



FIG.103A

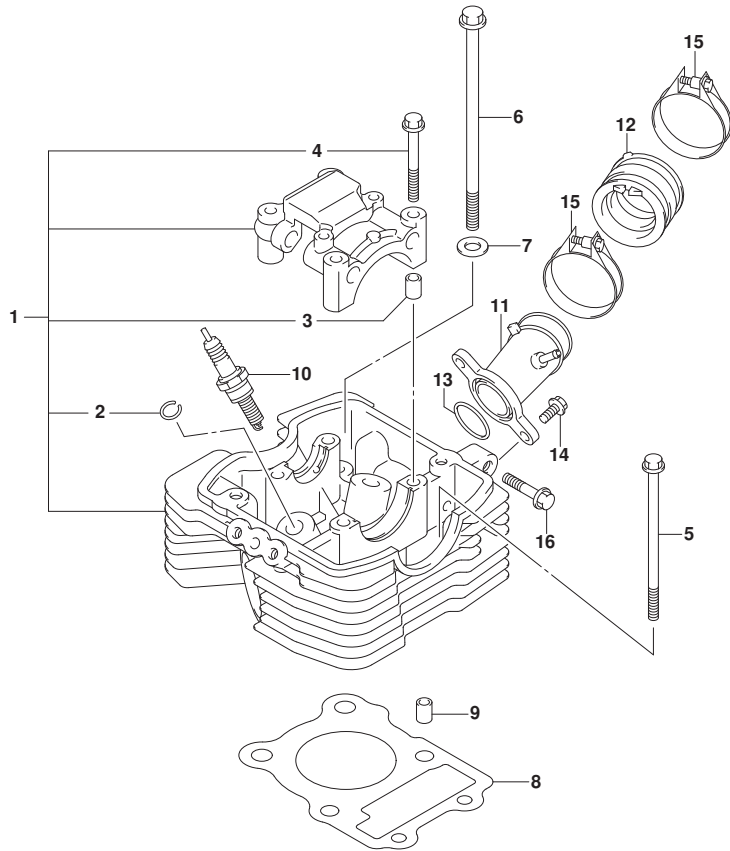


FIG.103A (1-B-3) CYLINDER HEAD

REF NO.	PART NO.	DESCRIPTION	Q'TY	REMARKS
1	11100-34J00-000	HEAD ASSY, CYLINDER	1	
2	09381-10004-000	.SNAP RING	2	
3	09206-08008-000	.PIN (6.3X8X12)	2	
4	09103-06316-000	.BOLT (6X50)	4	
5	09103-06015-000	BOLT (6X110)	2	
6	09103-08531-000	BOLT (8X140)	4	
7	09160-08164-000	WASHER (8.5X18X2.3)	4	
8	11141-34J00-000	GASKET, CYLINDER HEAD	1	
9	09206-10016-000	PIN (8.2X10X13)	2	
10-1	09482-00621-000	SPARK PLUG (CPR7EA-9)	1	NGK
10-2	09482-00627-000	SPARK PLUG (U22EPR9)	1	DENSO
10-3	09482-00638-000	SPARK PLUG (RG8YC)	1	CHAMPION
10-4	09482-00620-000	SPARK PLUG (CPR6EA-9)	1	OPT
10-5	09482-00622-000	SPARK PLUG (CPR8EA-9)	1	NGK OPT
10-6	09482-00626-000	SPARK PLUG (U20EPR9)	1	NGK OPT
10-7	09482-00628-000	SPARK PLUG (U24EPR9)	1	DENSO OPT
11	13110-34J00-000	PIPE, INTAKE NO.1	1	
12	13121-34J00-000	PIPE, INTAKE NO.2	1	
13	09280-29007-000	O RING (D:2.4, ID:28.7)	1	
14	01547-0616A-000	BOLT	2	
15	13170-12F50-000	CLAMP, INTAKE PIPE	2	
16	01550-0820B-000	BOLT	1	



FIG.107A

FIG.107A (1-B-4) CYLINDER

REF NO.	PART NO.	DESCRIPTION	Q'TY	REMARKS
1	11210-34J00-0F0	CYLINDER	1	
2	11241-34J00-000	GASKET, CYLINDER	1	
3	09206-10016-000	PIN (8.2X10X13)	2	

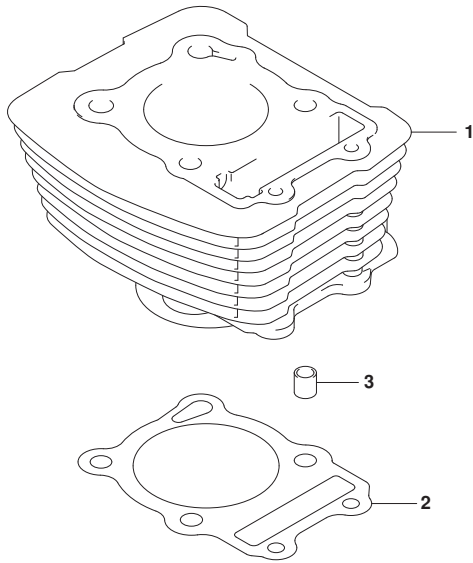


FIG.108A

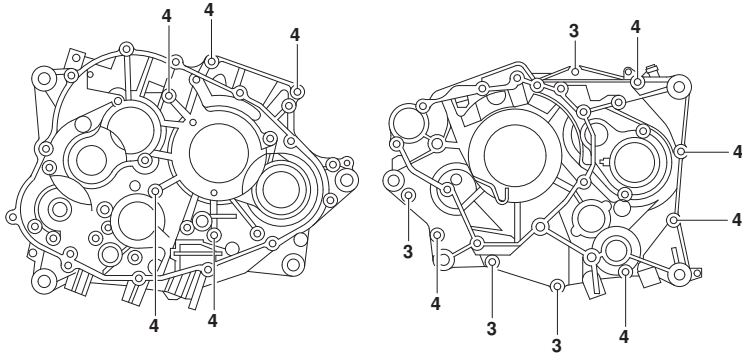


FIG.108A (1-B-5) CRANKCASE

REF NO.	PART NO.	DESCRIPTION	Q'TY	REMARKS
1	11300-34J00-000	CRANKCASE ASSY	1	
2	04211-09149-000	.PIN	2	
3	01547-0650B-000	.BOLT	4	
4	01547-0660B-000	.BOLT	10	
5	01500-1016A-000	BOLT	1	OIL DRAIN
6	09168-10L03-000	GASKET	1	
7	09103-10709-000	BOLT (10X85)	2	
8	09103-10077-000	BOLT (10X140)	2	
9	08319-3110B-000	NUT	4	

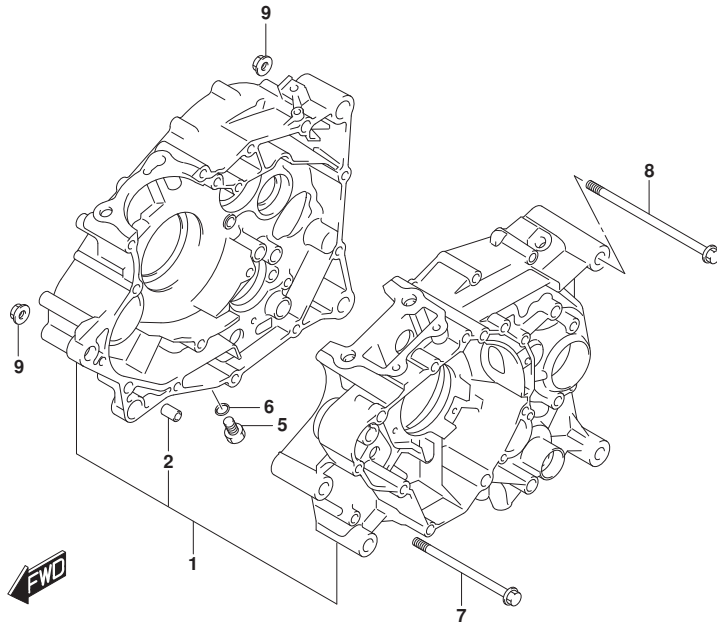


FIG.112A

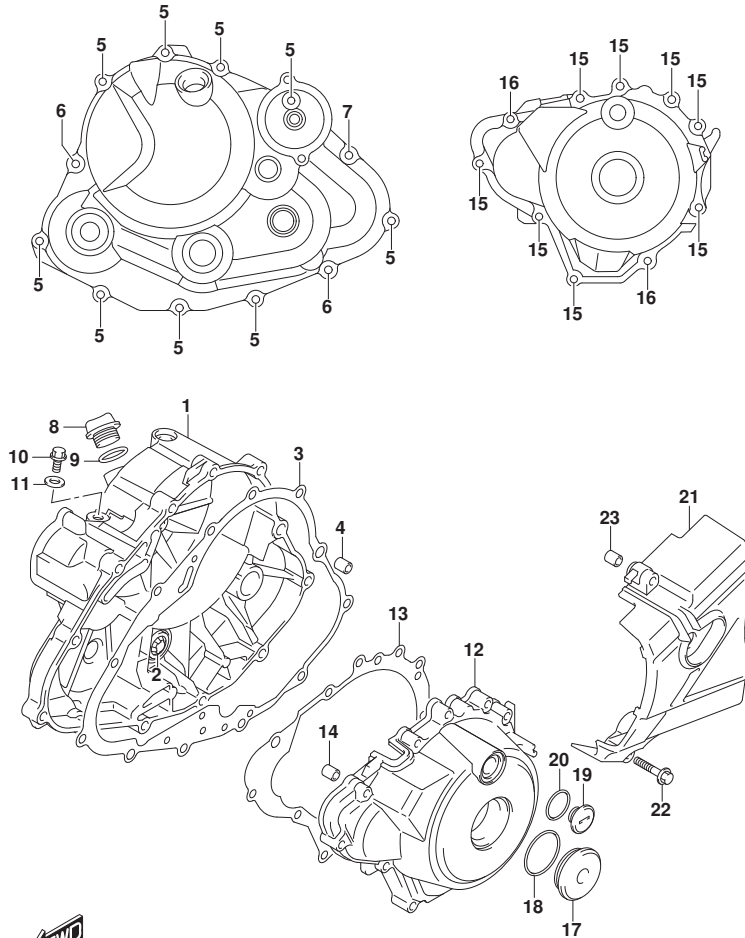


FIG.112A (1-B-6) CRANKCASE COVER

REF NO.	PART NO.	DESCRIPTION	Q'TY	REMARKS
1	11340-34J00-000	COVER, CLUTCH	1	
2	11971-45010-000	.LENS, OIL LEVEL	1	
3	11482-34J00-000	GASKET, CLUTCH COVER	1	
4	04211-09149-000	PIN	2	
5	01547-0630B-000	BOLT	9	
6	01547-0640B-000	BOLT	2	
7	01547-0695B-000	BOLT	1	
8	11971-30H00-000	PLUG, OIL FILLER	1	
9	09280-17003-000	O RING (D:3.1,ID:16.8)	1	
10	01550-0812B-000	BOLT	1	
11	09168-08015-000	GASKET (8.2X14X1.6)	1	
12	11351-34J00-000	COVER, MAGNETO	1	
13	11483-34J00-000	GASKET, MAGNETO COVER	1	
14	04211-09149-000	PIN	2	
15	01547-0630B-000	BOLT	8	
16	01547-0640B-000	BOLT	2	
17	09259-36026-000	PLUG	1	
18	09280-33004-000	O RING (D:3.1,ID:32.7)	1	
19	11352-34J00-000	PLUG, TOP	1	
20	09280-14003-000	O RING (D:2.4,ID:13.8)	1	
21	11360-34J00-000	COVER, ENGINE SPROCKET	1	
22	01547-0640B-000	BOLT	2	
23	04211-09149-000	PIN	2	

FIG.120A

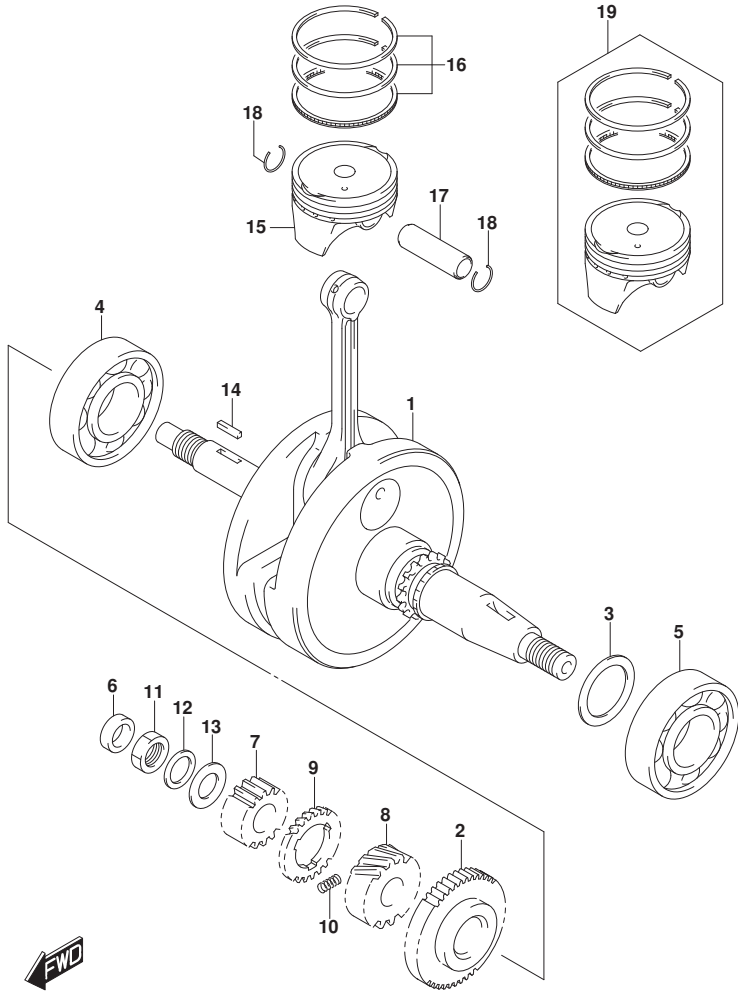


FIG.120A (1-B-7) CRANKSHAFT

REF NO.	PART NO.	DESCRIPTION	Q'TY	REMARKS
1	12200-34J00-0A0	CRANKSHAFT ASSY	1	
2	12661-34J00-0A0	GEAR, CRANK BALANCER DRIVE (NT:44)	1	
3-1	09181-28187-000	SHIM (T:0.60)	1	RH
3-2	09181-28021-000	SHIM (T:0.65)	1	RH
3-3	09181-28188-000	SHIM (T:0.70)	1	RH
3-4	09181-28189-000	SHIM (T:0.75)	1	RH
3-5	09181-28190-000	SHIM (T:0.80)	1	RH
3-6	09181-28191-000	SHIM (T:0.85)	1	RH
3-7	09181-28192-000	SHIM (T:0.90)	1	RH
3-8	09181-28193-000	SHIM (T:0.95)	1	RH
3-9	09181-28194-000	SHIM (T:1.00)	1	RH
3-10	09181-28197-000	SHIM (T:1.05)	1	RH
3-11	09181-28200-000	SHIM (T:1.10)	1	RH
3-12	09181-28202-000	SHIM (T:1.15)	1	RH
3-13	09181-28204-000	SHIM (T:1.20)	1	RH
3-14	09181-28207-000	SHIM (T:1.25)	1	RH
3-15	09181-28209-000	SHIM (T:1.30)	1	RH
4	09262-28L07-000	BEARING (28X68X18)	1	RH
5	09262-35L13-000	BEARING (35X72X17)	1	LH
6	09282-12013-000	OIL SEAL (12X21X7)	1	
7	16321-34J00-000	GEAR, OIL PUMP DRIVE (NT:15)	1	
8	21111-34J00-000	GEAR, PRIMARY DRIVE (NT:22)	1	
9	21112-34J00-000	GEAR, PRIMARY DRIVE SCISSORS (NT:22)	1	
10	21114-34J00-000	SPRING, PRI DRIVE GEAR	3	
11	09140-16035-000	NUT	1	
12	21143-34J00-000	WASHER, PRIMARY DRIVE GEAR WAVE	1	
13	08211-16281-000	WASHER	1	
14	21116-34J00-000	KEY, PRIMARY DRIVE GEAR	1	

FIG.120A

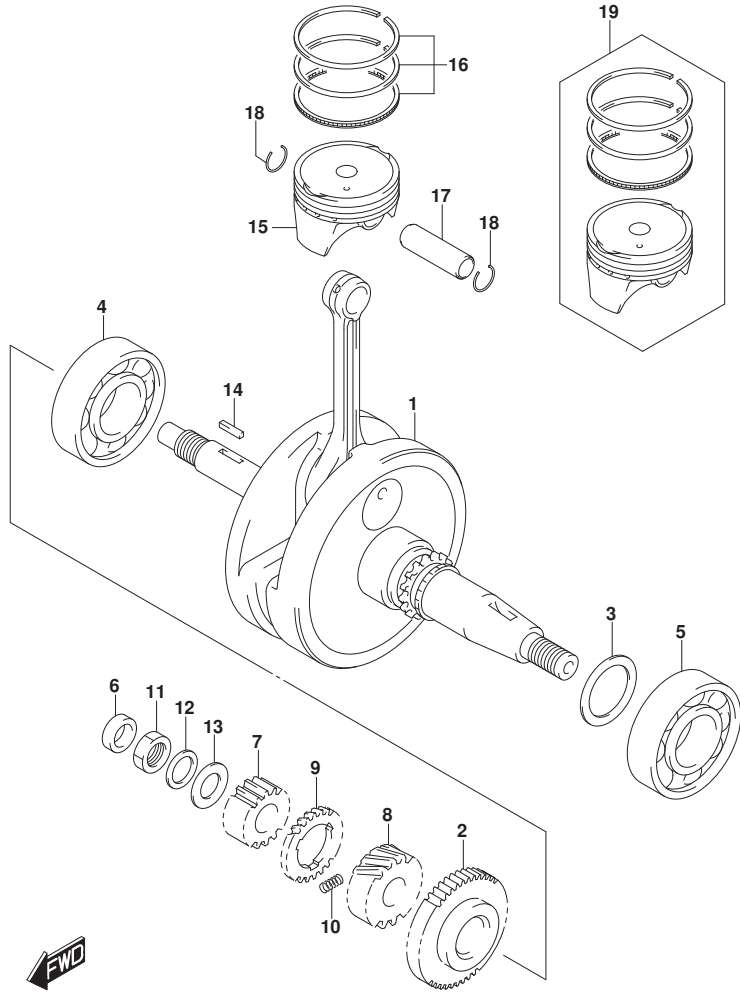


FIG.120A (1-B-8) CRANKSHAFT

REF NO.	PART NO.	DESCRIPTION	Q'TY	REMARKS
15	12111-34J01-0F0	PISTON	1	
16	12140-34J01-000	RING SET, PISTON	1	
17	12151-34J00-000	PIN, PISTON	1	
18	09381-14001-000	SNAP RING	2	
19	12100-34J01-050	PISTON SET (OS:0.5)	1	OPT

FIG.122A

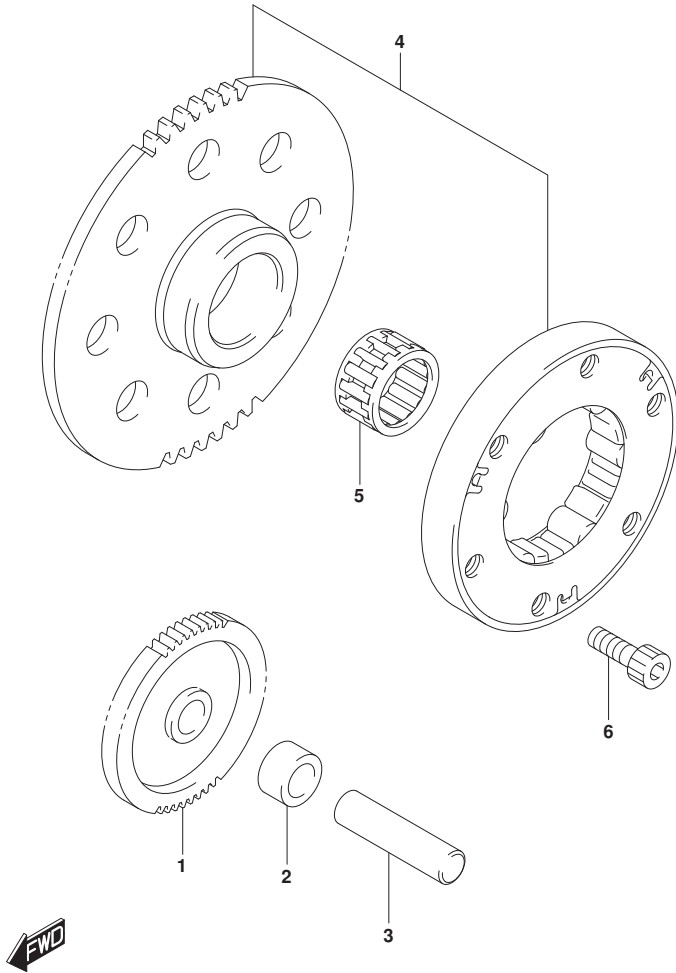


FIG.122A (1-B-9) STARTER CLUTCH

REF NO.	PART NO.	DESCRIPTION	QTY	REMARKS
1	12611-34J00-000	GEAR, STARTER IDLE (NT:16/56)	1	
2	09180-10163-000	SPACER (10X16X10.5)	1	
3	09202-10012-000	PIN (10X47.5)	1	
4	12600-34830-000	CLUTCH SET, STARTER (NT:59)	1	
5	09263-22L04-000	BEARING	1	
6	07130-0616A-000	BOLT	3	

FIG.124A

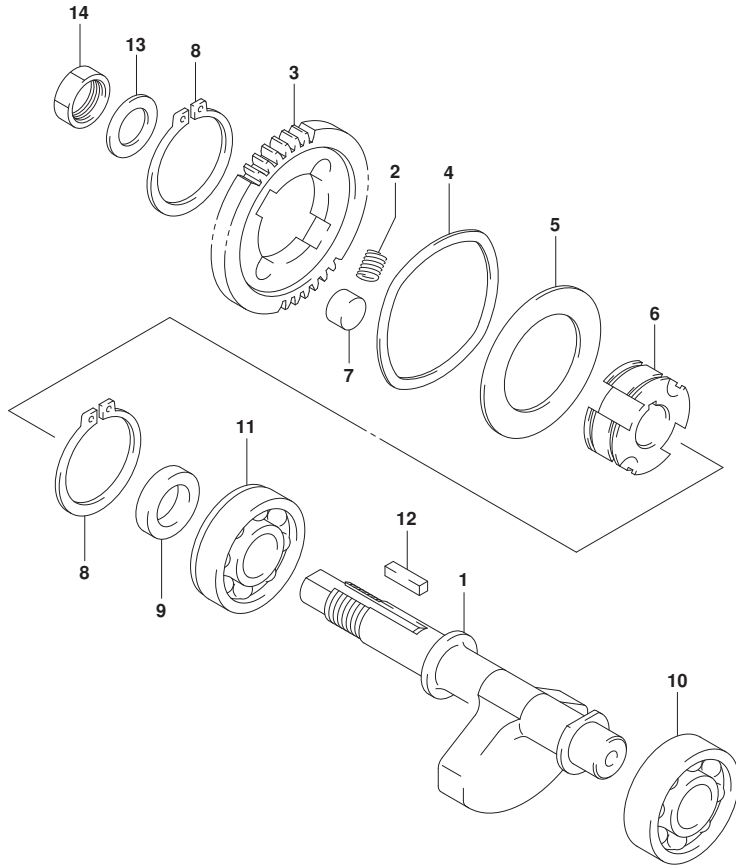


FIG.124A (1-B-10) CRANK BALANCER

REF NO.	PART NO.	DESCRIPTION	Q'TY	REMARKS
1	12651-34J00-000	BALANCER, CRANK	1	
2	12663-47E50-000	SPRING	2	
3	12666-34J00-0A0	GEAR, CRANK BALANCER DRIVEN (NT:44)	1	
4	12662-34J00-000	WASHER, CRK BAL DRIVEN GR NO.1	1	
5	12662-34J10-000	WASHER, CRK BAL DRIVEN GR NO.2	1	
6	12669-34J00-000	RACE, CRK BAL DRIVEN GEAR INNER	1	
7	12686-34J00-000	DAMPER	2	
8	08331-31359-000	CIRCLIP	2	
9	12668-34J00-000	SPACER, CRANK BAL DRN GEAR	1	
10	09262-15L10-000	BEARING	1	LH
11	09262-15L09-000	BEARING	1	RH
12	09421-04009-000	KEY	1	
13	08211-14242-000	WASHER	1	
14	09140-14022-000	NUT	1	



FIG.126A

FIG.126A (1-B-11) CAMSHAFT/VALVE

REF NO.	PART NO.	DESCRIPTION	Q'TY	REMARKS
1	12710-34J00-000	CAM SHAFT	1	
2	09262-30126-000	.BEARING (30X42X7)	1	LH
3	09262-12036-000	.BEARING (12X28X8)	1	RH
4	12740-34J00-000	SPROCKET, CAMSHAFT (NT:34)	1	
5	12714-34J00-000	WASHER, SPROCKET	1	
6	09106-05028-000	BOLT (5X15)	2	
7	12749-34J00-000	C RING	1	
8	12951-34J00-000	CAM, DECOMPRESSION	1	
9	09206-08008-000	PIN (6.3X8X12)	1	KNOCK
10	09261-05005-000	PIN (5X8)	1	ANGLE
11	12840-34J10-000	ARM ASSY, VALVE ROCKER	2	
12	12842-34J00-000	.SCREW, TAPPET ADJUSTING	2	
13	12843-27A70-000	.NUT, TAPPET ADJUSTING	2	
14	12861-34J00-000	SHAFT, VALVE ROCKER ARM IN	1	
15	12871-34J00-000	SHAFT, VALVE ROCKER ARM EXH	1	
16	01550-0516A-000	BOLT	2	ROCKER ARM SHAFT
17	09164-09005-000	WASHER	2	
18	12911-34J00-000	VALVE, INTAKE	1	
19	12912-34J00-000	VALVE, EXHAUST	1	
20	12921-34J00-000	SPRING, VALVE	2	
21-1	12931-09G20-000	RETAINER, VALVE SPRING	2	BILL FORGE
21-2	12931-33G00-000	RETAINER, VALVE SPRING	2	BHAVANI
22	12932-09G10-000	COTTER, VALVE	4	
23	12933-09G00-000	SEAT, VALVE SPRING	2	
24	09289-05019-000	OIL SEAL (4X10X8)	2	

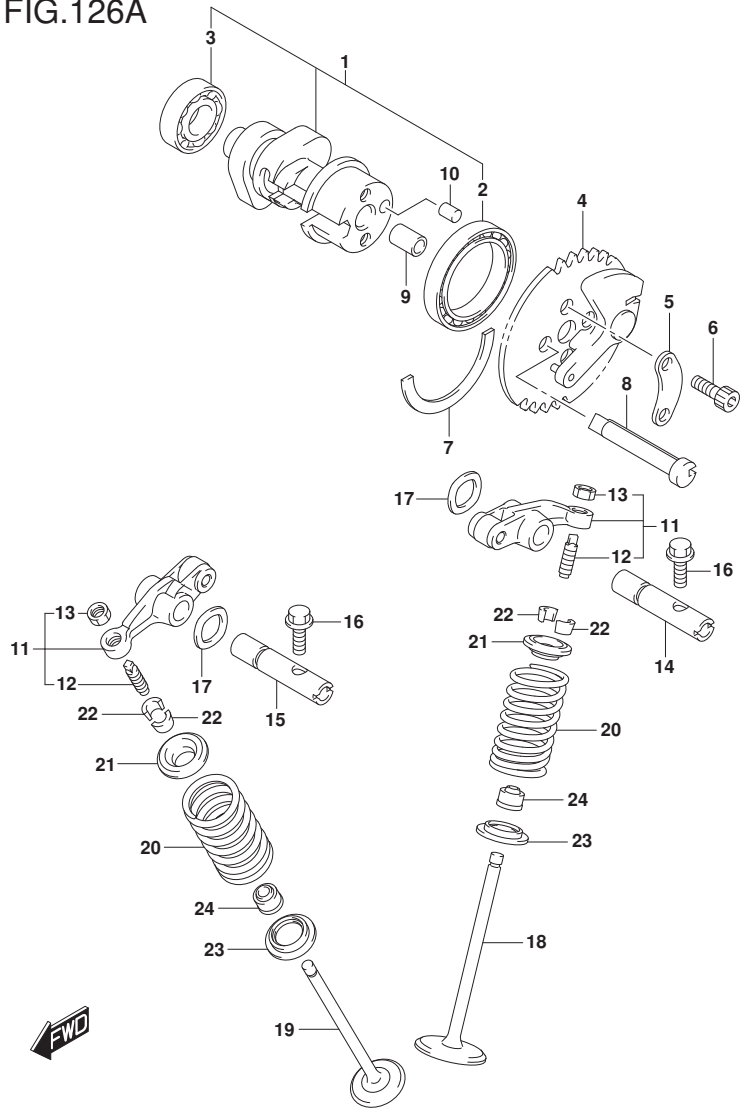


FIG.127A

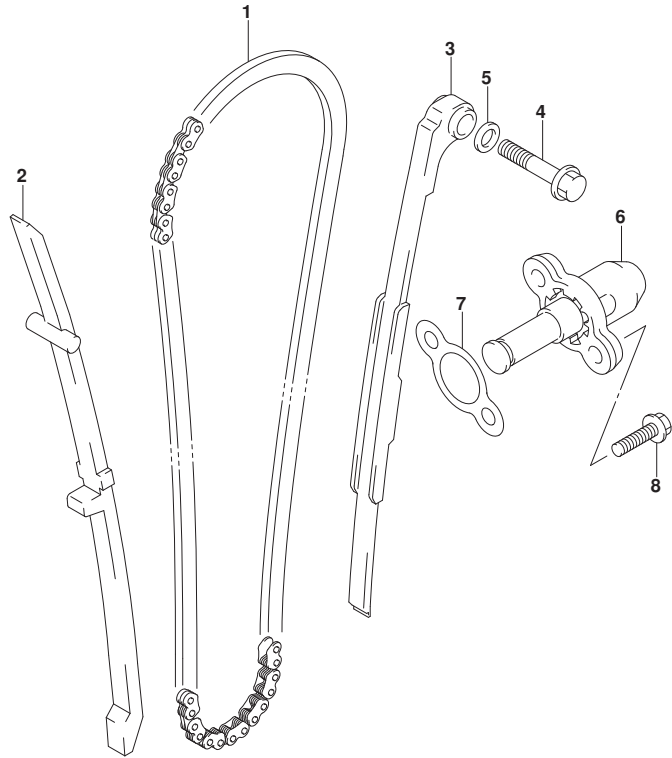


FIG.127A (1-B-12) CAM CHAIN

REF NO.	PART NO.	DESCRIPTION	Q'TY	REMARKS
1	12760-12F50-000	CHAIN, CAMSHAFT DRIVE (92RH2005-100M)	1	
2	12771-34J00-000	GUIDE, CAM CHAIN	1	
3	12811-34J00-000	TENSIONER, CAM CHAIN	1	
4	09103-06508-000	BOLT (6X32)	1	
5	09168-06004-000	GASKET (6.2X11X1.2)	1	
6	12830-39J00-000	ADJUSTER ASSY, TENSIONER	1	
7	12837-33G00-000	GASKET, TENSIONER ADJUSTER	1	
8	01547-0620A-000	BOLT	2	



FIG.130A

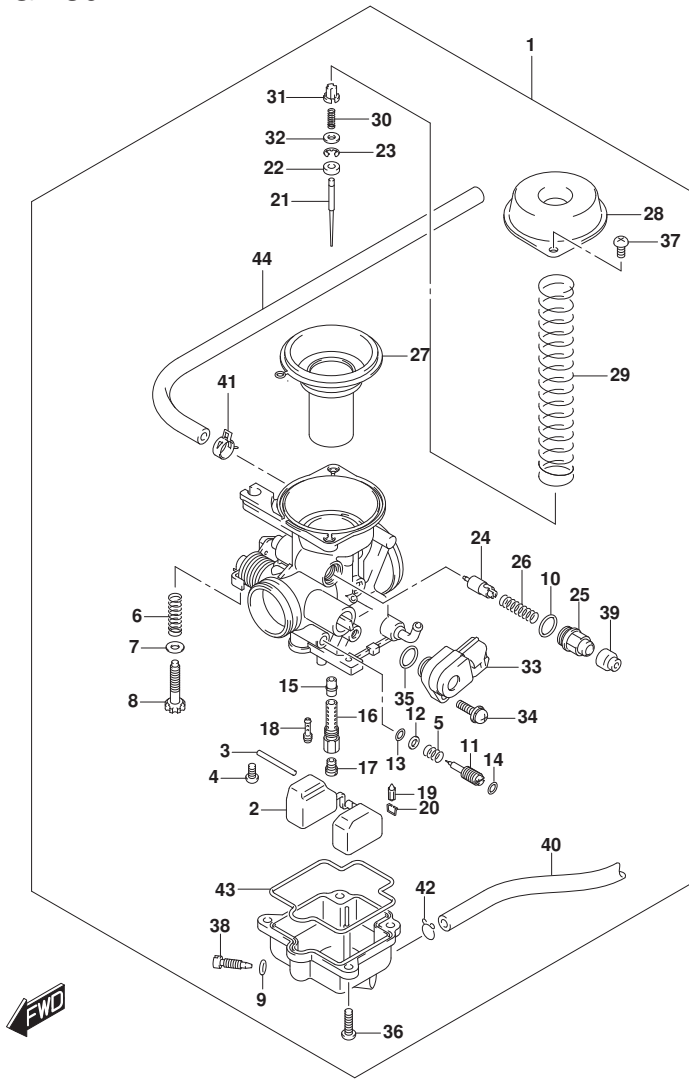


FIG.130A (1-B-13) CARBURETOR

REF NO.	PART NO.	DESCRIPTION	Q'TY	REMARKS
1	13200-34J00-000	CARBURETOR ASSY	1	
2	13240-34J00-000	.FLOAT ASSY	1	
3	13254-34J00-000	.PIN, FLOAT	1	
4	13257-34J00-000	.SCREW	1	
5	13268-47070-000	.SPRING	1	
6	13271-34J00-000	.SPRING	1	
7	13273-34J00-000	.WASHER	1	
8	13274-34J00-000	.ADJUSTER	1	
9	13278-02340-000	.O RING	1	
10	13278-47090-000	.O RING	1	
11	13283-34J00-000	.ADJUSTER	1	
12	13291-29900-000	.WASHER	1	
13	13295-29900-000	.O RING	1	
14	13295-34J00-000	.O RING	1	
15	13341-34J00-000	.JET, NEEDLE (0-3)	1	
16	13342-34J00-000	.HOLDER, JET	1	
17	13345-34J00-000	.JET, MAIN (135)	1	
18	13353-34J00-000	.JET, PILOT (12.5)	1	
19	13370-34J00-000	.NEEDLE ASSY	1	
20	13375-34J00-000	.CLIP	1	
21	13383-34J00-000	.NEEDLE, JET (A9)	1	
22	13387-47010-000	.RING	1	
23	13394-40D20-000	.E RING	1	
24	13411-34J00-000	.PLUNGER	1	
25	13418-34J00-000	.GUIDE HOLDER	1	
26	13471-34J00-000	.SPRING	1	
27	13500-34810-000	.PISTON VALVE ASSY	1	
28	13502-34J00-000	.DIAPHRAGM COVER	1	
29	13503-34J00-000	.SPRING	1	
30	13504-34J00-000	.SPRING	1	
31	13505-34J00-000	.HOLDER	1	
32	13506-34J00-000	.WASHER	1	
33	13580-34J00-000	.TPS	1	
34	13584-34J00-000	.SCREW	1	

FIG.130A

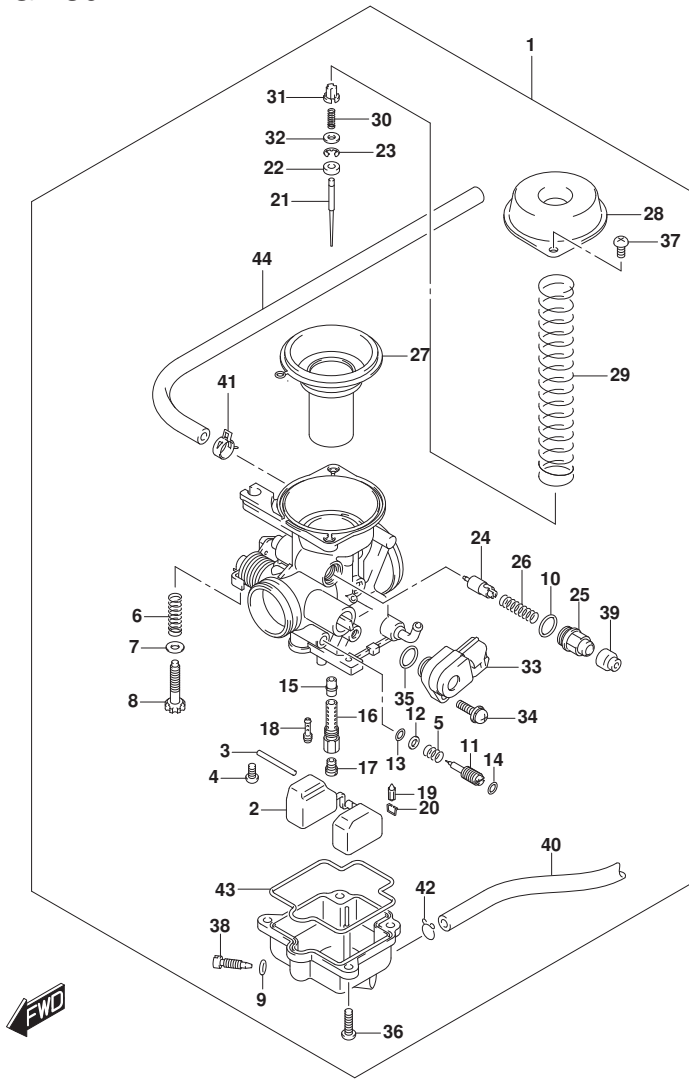


FIG.130A (1-B-14) CARBURETOR

REF NO.	PART NO.	DESCRIPTION	Q'TY	REMARKS
35	13585-34J00-000	.O RING	1	
36	13601-34J00-000	.SCREW	4	
37	13602-34J00-000	.SCREW	2	
38	13623-34J00-000	.SCREW	1	
39	13681-04010-000	.CAP	1	
40	13684-34J00-000	.HOSE (4X7X320)	1	
41	13692-34J00-000	.CLIP	1	
42	13692-34J10-000	.CLIP	1	
43	13696-34J00-000	.O RING	1	
44	13697-34J00-000	.HOSE (6X10X370)	1	

FIG.155A

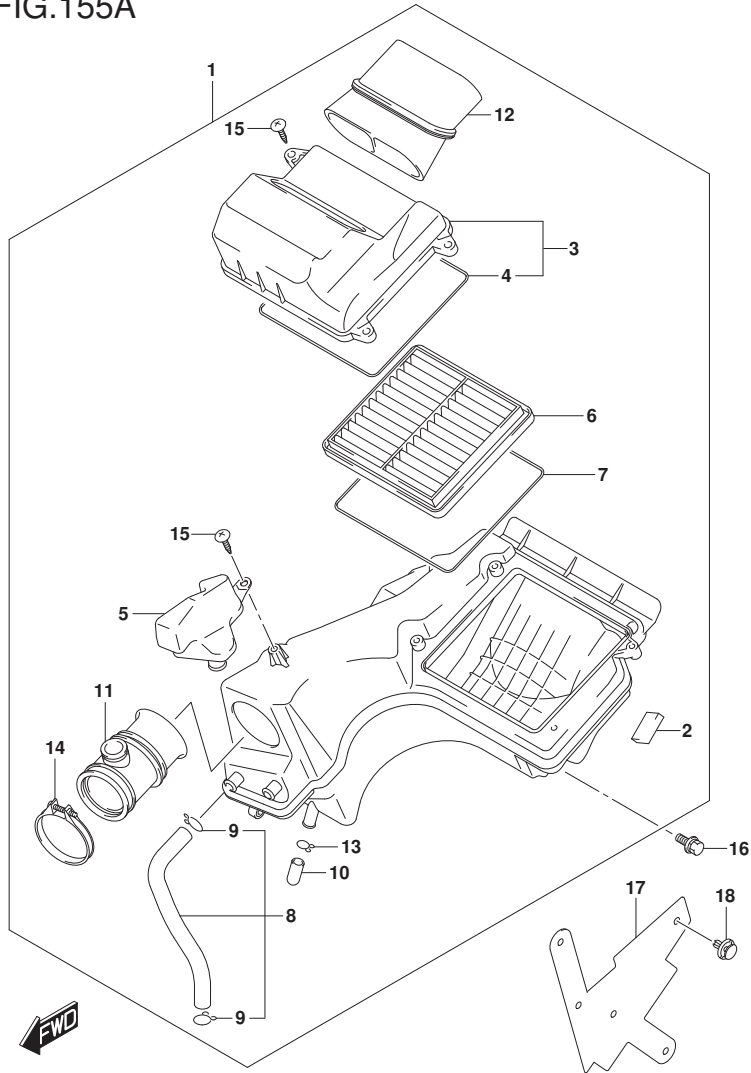


FIG.155A (1-B-15) AIR CLEANER

REF NO.	PART NO.	DESCRIPTION	Q'TY	REMARKS
1	13700-34J00-000	CLEANER ASSY, AIR	1	
2	13725-34J00-000	.CUSHION	2	
3	13740-34J00-000	.CAP, AIR CLEANER	1	
4	13746-34J00-000	.GASKET	1	
5	13761-34J00-000	.RESONATOR	1	
6	13780-34J00-000	.FILTER ASSY	1	
7	13746-34J00-000	.GASKET	1	
8	13850-34J00-000	.TUBE, BREATER	1	
9	09401-12305-000	.CLIP	2	
10	13878-10G00-000	.PLUG	1	
11	13881-34J00-000	.TUBE, OUTLET	1	
12	13891-34J00-000	.TUBE, INLET	1	
13	09401-14301-000	.CLIP	1	
14	09402-50208-000	.CLAMP	1	
15	03541-0520A-000	.SCREW	4	
16	01580-0616A-000	BOLT	2	
17	13841-34J00-000	SHEET, AIR CLEANER INLET	2	
18	09409-07350-000	CLIP	4	

FIG.163A

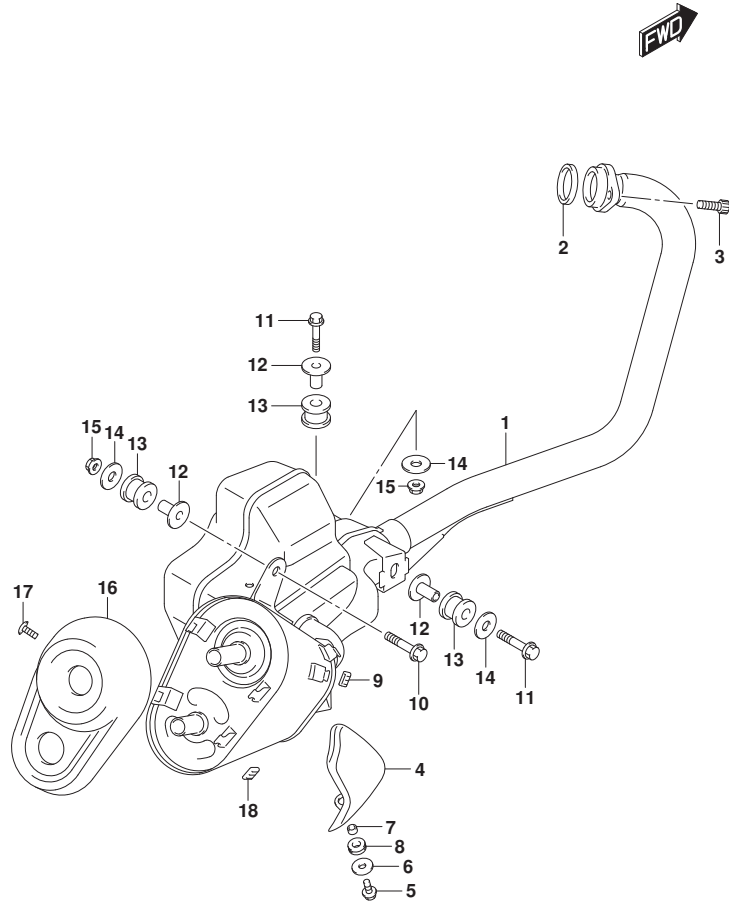


FIG.163A (1-C-2) MUFFLER

REF NO.	PART NO.	DESCRIPTION	Q'TY	REMARKS
1	14310-34J10-000	BODY, MUFFLER	1	
2	14181-14D10-000	GASKET, EXHAUST PIPE	1	
3	07130-0825A-000	BOLT	2	
4	14780-34J00-000	COVER, MUFFLER	1	
5	01550-0616A-000	BOLT	1	
6	09160-06503-000	WASHER (6.5X22X1.6)	1	
7	09180-06306-000	SPACER (6.5X9X5)	1	
8	09320-08L02-000	CUSHION	1	
9	14795-10FA0-000	GROMMET	2	
10	01550-0840B-000	BOLT	1	
11	01550-0840A-000	BOLT	2	
12	09180-08228-000	SPACER	3	
13	09320-12086-000	CUSHION	3	
14	09160-08149-000	WASHER (8.5X30X1.6)	3	
15	08319-3108A-000	NUT	2	
16	14790-34J01-000	COVER, MUFFLER RR	1	
17	09139-06198-000	SCREW (6X16)	2	
18	14795-10FA0-000	GROMMET	2	

FIG.170A

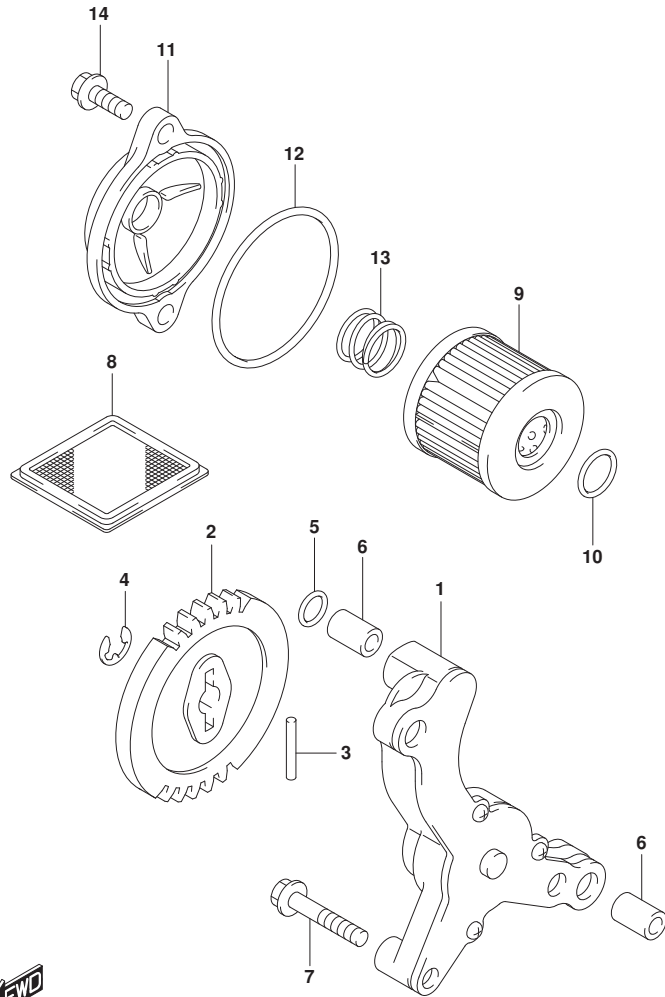


FIG.170A (1-C-3) OIL PUMP

REF NO.	PART NO.	DESCRIPTION	Q'TY	REMARKS
1	16400-34J00-000	PUMP ASSY, ENGINE OIL	1	
2	16331-34J00-000	GEAR, DRIVEN (NT:30)	1	
3	09261-02001-000	PIN (2.5X19.8)	1	
4	08332-11069-000	E RING	1	
5	09280-09013-000	O RING (D:1.9,ID:8.6)	1	OIL PUMP GALLERY
6	04211-09149-000	PIN	3	
7	01547-0630A-000	BOLT	3	
8	16520-09440-000	STRAINER, ENGINE OIL	1	
9-1	16510-33G00-000	FILTER, ENGINE OIL	1	PUROLATOR INDIA
9-2	16510-33G10-000	FILTER, ENGINE OIL	1	ELOFIC
10	09280-13010-000	O RING (D:1.9,ID:12.5)	1	
11	16512-34J00-000	CAP, OIL FILTER	1	
12	09280-54001-000	O RING (D:2.4,ID:52.6)	1	
13	16519-09J10-000	SPRING, OIL FILTER	1	
14	01547-0620B-000	BOLT	2	

FIG.189A

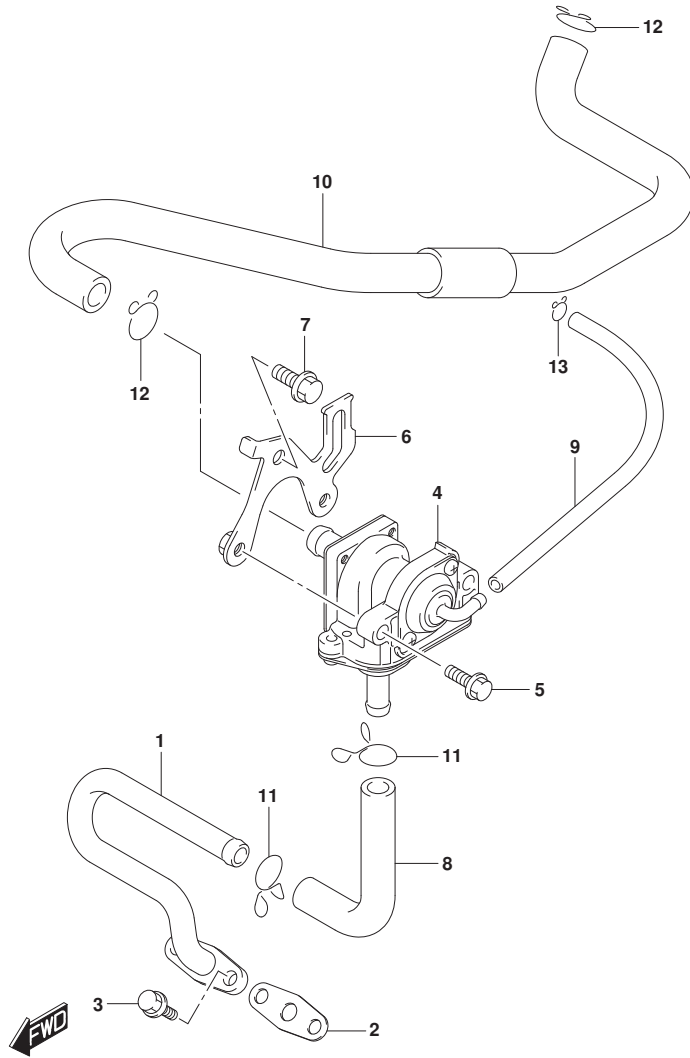


FIG.189A (1-C-4) 2ND AIR

REF NO.	PART NO.	DESCRIPTION	QTY	REMARKS
1	18410-34J00-000	PIPE, 2ND AIR	1	
2	18441-45C01-000	GASKET	1	
3	01547-0616A-000	BOLT	2	
4	18450-34G60-000	VALVE ASSY, 2ND AIR	1	
5	01550-0620A-000	BOLT	2	
6	18610-34J00-000	BRACKET	1	
7	01550-0612A-000	BOLT	1	
8	18461-34J10-000	HOSE, 2ND AIR VALVE	1	
9	09352-40704-270	HOSE	1	
10	18711-34J00-000	HOSE, 2ND AIR CLEANER	1	
11	09401-13409-000	CLIP	2	
12	09401-15101-000	CLIP	2	
13	09401-06102-000	CLIP	1	

FIG.201A

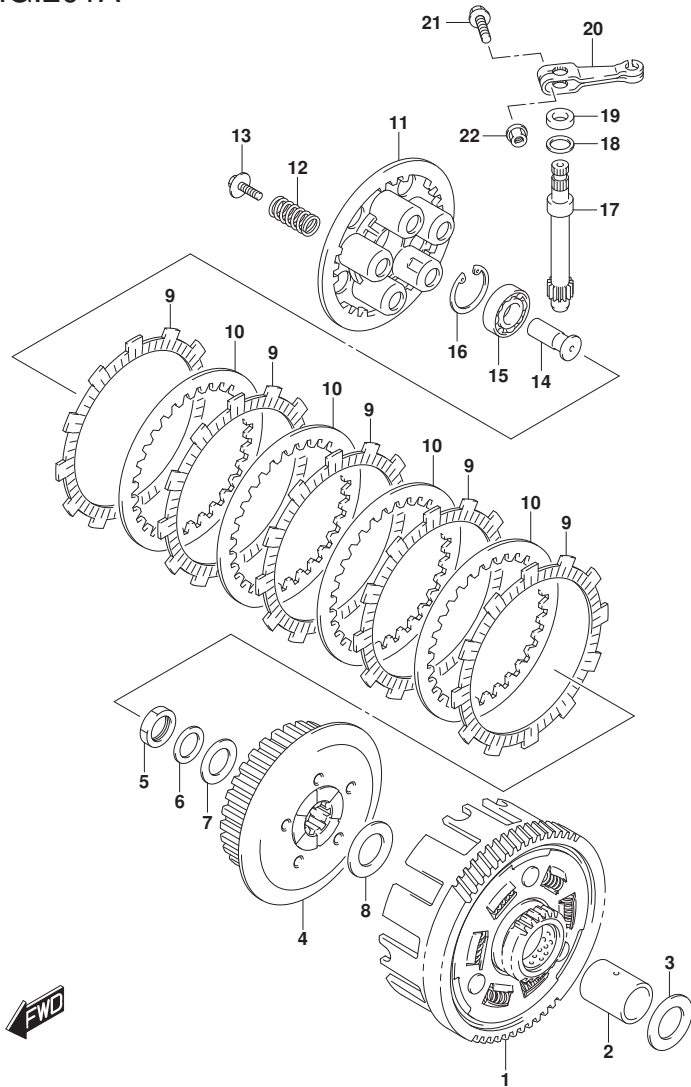


FIG.201A (1-C-5) CLUTCH

REF NO.	PART NO.	DESCRIPTION	Q'TY	REMARKS
1	21200-34J01-000	GEAR ASSY, PRIMARY DRIVEN (NT:19/70)	1	
2	21251-30H00-000	SPACER, PRIMARY DRIVEN GEAR	1	
3	08211-20353-000	WASHER	1	
4	21411-34J00-000	HUB, CLUTCH SLEEVE	1	
5	21414-30H00-000	NUT, CLUTCH SLEEVE HUB	1	
6	21143-34J00-000	WASHER, CLUTCH SLEEVE HUB WAVE	1	
7	08211-16281-000	WASHER	1	
8	08211-20353-000	WASHER	1	
9	21441-30H40-000	PLATE, CLUTCH DRIVE NO.1 (T:3.0)	5	
10	21451-28030-000	PLATE, CLUTCH DRIVEN (T:1.6)	4	
11	21462-34J00-000	DISC, CLUTCH PRESSURE	1	
12	09440-15040-000	SPRING	5	
13	21412-30H00-000	BOLT, CLUTCH SPRING	5	
14	23165-28G60-000	RACK, CLUTCH RELEASE	1	
15	08110-62000-000	BEARING	1	
16	08331-41309-000	CIRCLIP	1	
17-1	23261-13A10-000	PINION, CLUTCH RELEASE	1	
17-2	23261-13A30-000	PINION, CLUTCH RELEASE	1	
18	09160-12119-000	WASHER (12.5X17X1)	1	
19	09285-10007-000	OIL SEAL (10X17X5)	1	
20	23271-30H00-000	ARM, CLUTCH RELEASE	1	
21	01550-0625A-000	BOLT	1	
22	08316-1006A-000	NUT	1	

FIG.206A

FIG.206A (1-C-6) TRANSMISSION

REF NO.	PART NO.	DESCRIPTION	Q'TY	REMARKS
1	24120-34J00-000	SHAFT, COUNTER (NT:12)	1	
2	24221-34J00-000	GEAR, 2ND DRIVE (NT:16)	1	
3	24231-34J10-000	GEAR, 3RD DRIVE (NT:20)	1	
4	24241-34J10-000	GEAR, 4TH DRIVE (NT:22)	1	
5	09380-20018-000	CIRCLIP	1	4TH DRIVE
6	24251-34J10-000	GEAR, 5TH DRIVE (NT:24)	1	
7	08211-20261-000	WASHER	1	4TH DRIVE
8	08211-14321-000	WASHER	1	2ND DRIVE
9	08331-31149-000	CIRCLIP	1	2ND DRIVE
10	08110-62040-000	BEARING	1	RH
11	24741-20A10-000	RETAINER, COUNTER BEARING	2	
12	02112-0612A-000	SCREW	2	
13-1	24132-34J10-000	BEARING, COUNTERSHAFT LH	1	
13-2	24132-34J20-000	BEARING, COUNTERSHAFT LH	1	
14	24130-34J00-000	SHAFT, DRIVE	1	
15	24311-34J00-000	GEAR, 1ST DRIVEN (NT:33)	1	
16	24312-34J00-000	BUSH, 1ST DRIVEN GEAR	1	
17	24321-34J00-000	GEAR, 2ND DRIVEN (NT:28)	1	
18	24322-34J00-000	BUSH, 2ND DRIVEN GEAR	1	
19	24331-34J10-000	GEAR, 3RD DRIVEN (NT:26)	1	
20	24341-34J00-000	GEAR, 4TH DRIVEN (NT:23)	1	
21	24351-34J10-000	GEAR, 5TH DRIVEN (NT:21)	1	
22	09380-20018-000	CIRCLIP	1	
23	08211-20261-000	WASHER	1	3RD DRIVEN
24	08211-20261-000	WASHER	2	2ND DRIVEN
25	08211-15242-000	WASHER	1	1ST DRIVEN,RH
26	08211-17241-000	WASHER	1	1ST DRIVEN,LH
27	08110-62020-000	BEARING	1	RH
28	09283-20066-000	OIL SEAL	1	
29	08120-62040-000	BEARING, LH	1	
30	24751-34J00-000	RETAINER, DRIVE SHAFT	1	
31	01500-0610A-000	BOLT	2	

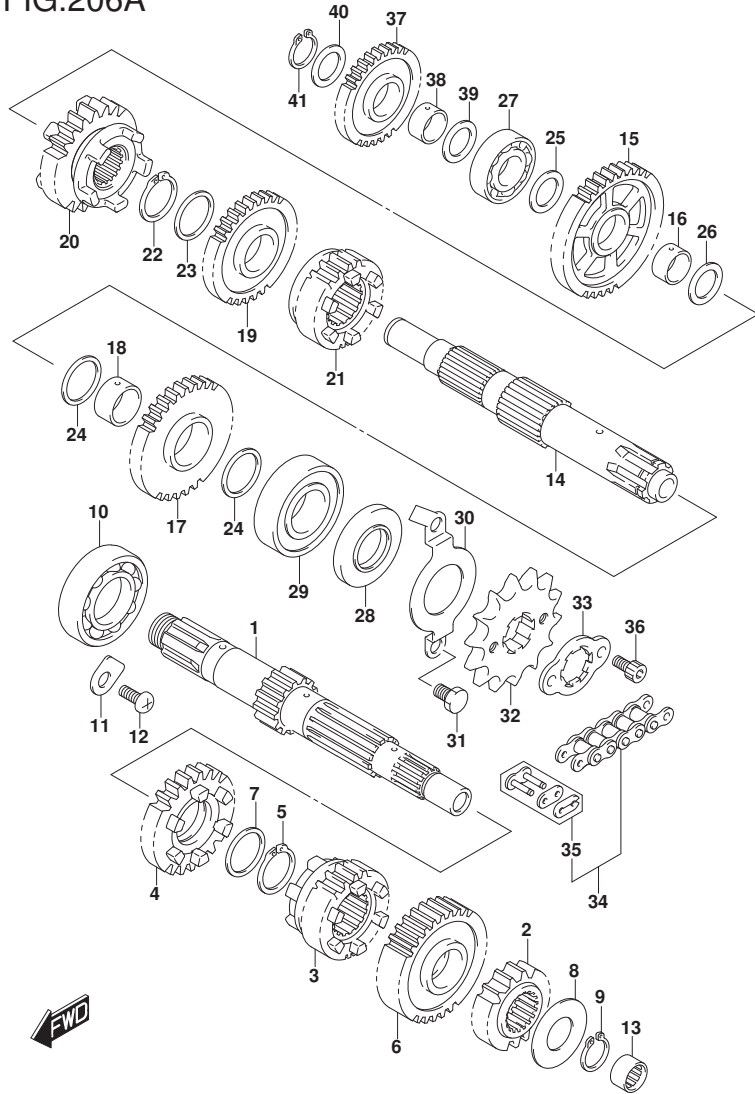


FIG.206A

FIG.206A (1-C-7) TRANSMISSION

REF NO.	PART NO.	DESCRIPTION	Q'TY	REMARKS
32	27511-30H20-000	SPROCKET, ENGINE (NT:15)	1	
33	27512-05310-000	WASHER, SPROCKET	1	
34	27600-30H40-132	CHAIN ASSY (R428NOR x132)	1	
35	27620-30H40-000	JOINT SET, CHAIN	1	
36	07130-0610A-000	BOLT	2	
37	26261-34J00-000	GEAR, KICK STARTER IDLE (NT:26)	1	
38	24312-26H10-000	BUSH, KICK STARTER IDLE GEAR	1	
39	08211-15242-000	WASHER	1	
40	08211-15242-000	WASHER	1	
41	08331-31159-000	CIRCLIP	1	

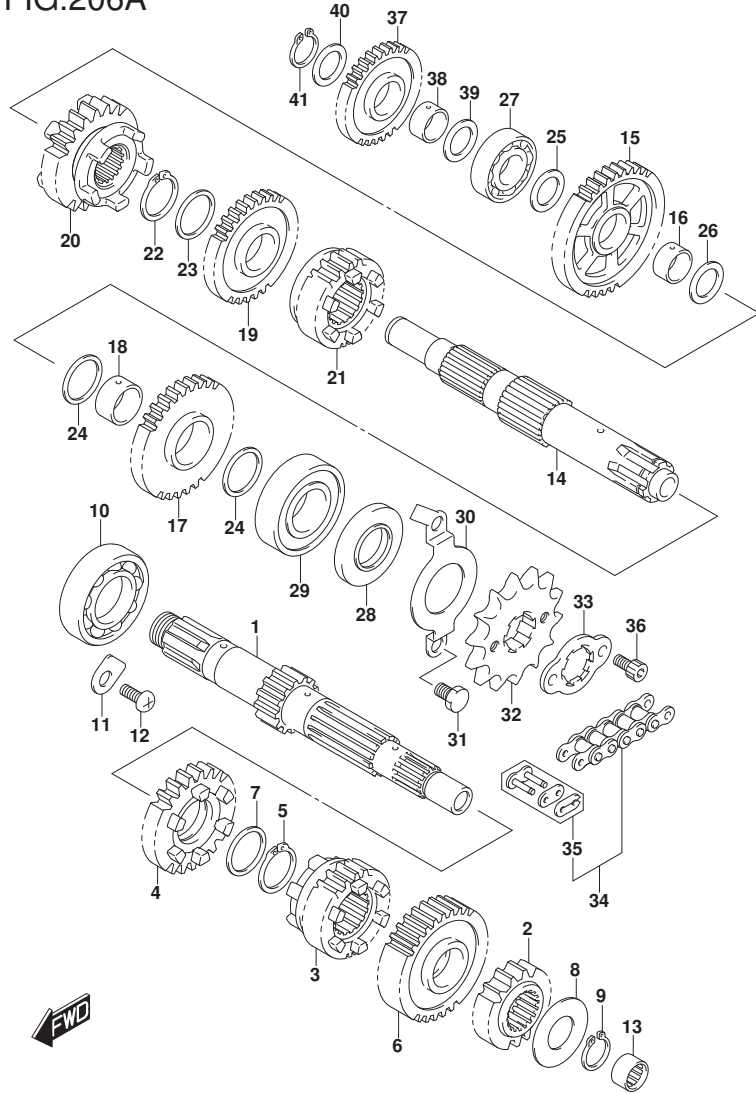
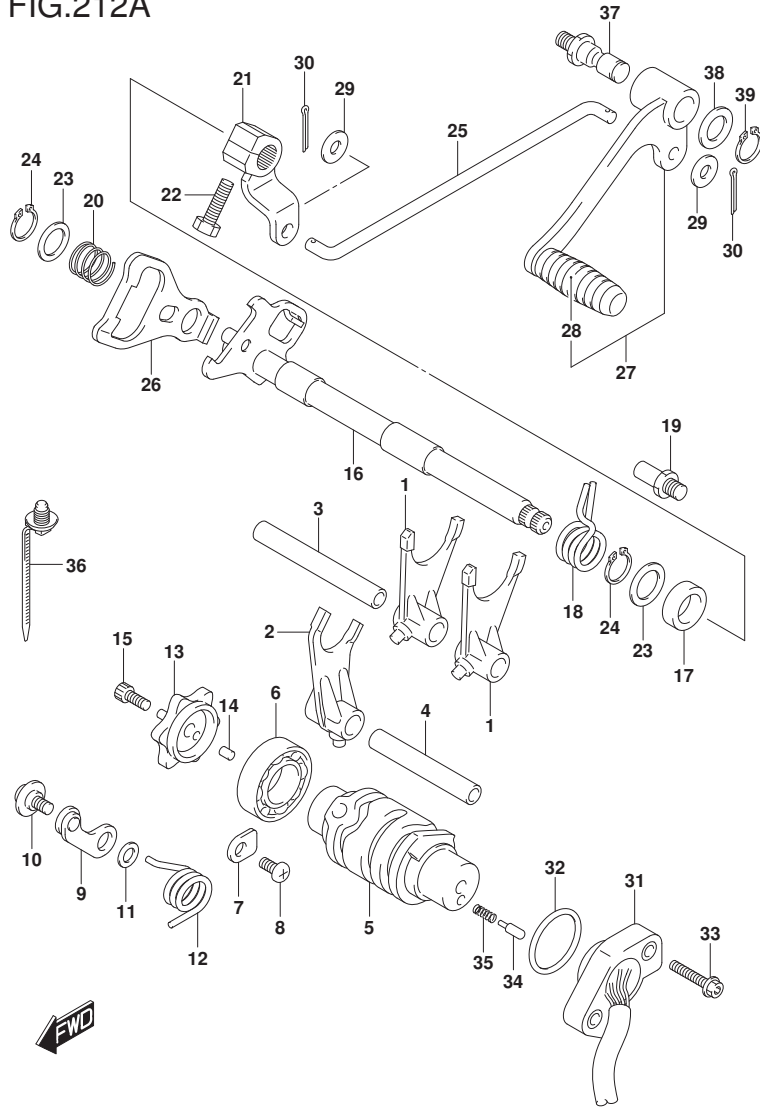


FIG.212A



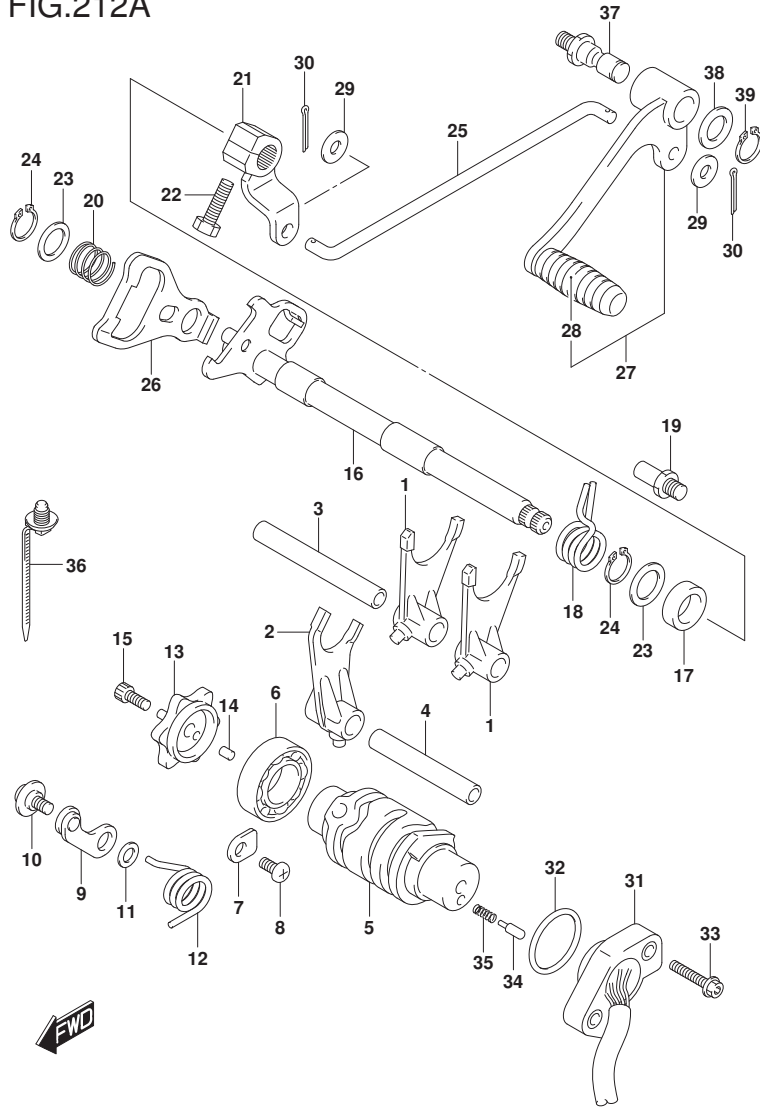
GSX150L6-2_P74_212A
GEAR SHIFTING

FIG.212A (1-C-8) GEAR SHIFTING

REF NO.	PART NO.	DESCRIPTION	Q'TY	REMARKS
1	25211-34J10-000	FORK, GEAR SHIFTING NO.1	2	
2	25231-34J10-000	FORK, GEAR SHIFTING NO.3	1	
3	25411-34J00-000	SHAFT, GEAR SHIFT FORK NO.1	1	
4	25421-34J00-000	SHAFT, GEAR SHIFT FORK NO.2	1	
5	25311-34J00-000	CAM, GEAR SHIFT	1	
6	08110-69050-000	BEARING	1	
7	24741-20A10-000	RETAINER, SHIFT CAM, R BEARING	2	
8	02112-0612A-000	SCREW	2	
9	25350-34J10-000	STOPPER, CAM	1	
10	25357-34J00-000	BOLT, GEAR SHIFT CAM STOPPER	1	
11	08211-06121-000	WASHER	1	
12	25355-34J10-000	SPRING	1	
13	25381-34J00-000	PLATE, GEAR SHIFT CAM	1	
14	04221-04089-000	PIN	1	
15	07130-0616A-000	BOLT	1	
16	25510-34J00-000	SHAFT, GEAR SHIFTING	1	
17	09283-14011-000	OIL SEAL (14X22X6)	1	
18	25518-34J00-000	SPRING, SHIFT SHAFT RETURN	1	
19	25671-28G00-000	STOPPER, ARM	1	
20	25515-34J00-000	SPRING,GEAR SHIFT PLATE RETURN	1	
21	25520-34J10-000	ARM, GEAR SHIFT LINK	1	
22	25616-28G00-000	BOLT, SHIFT LEVER	1	
23	09181-14167-000	SHIM (14X22X1)	2	
24	08331-31149-000	CIRCLIP	2	
25	25525-34J00-000	ROD, GEAR SHIFT LINK	1	
26	25512-28G10-000	PLATE, GEAR SHIFT CAM DRIVE	1	
27	25600-34J00-000	LEVER ASSY, GEAR SHIFTING	1	
28	25652-05J00-000	.RUBBER	1	
29	25617-30H10-000	WASHER,GEAR SHIFT LINK ROD	2	
30	04111-2015A-000	COTTER PIN	2	

GSX150L6-2_P74_P

FIG.212A



GSX150L6-2_P74_212A
GEAR SHIFTING

FIG.212A (1-C-9) GEAR SHIFTING

REF NO.	PART NO.	DESCRIPTION	Q'TY	REMARKS
31	37720-34J00-000	BASE ASSY, GEAR TERM	1	
32	09280-26005-000	O RING (D:2.4,ID:26.2)	1	
33	07120-0520A-000	BOLT	2	
34	09209-05011-000	PIN (5X15.5)	1	
35	09440-04010-000	SPRING	1	
36	09407-15L01-000	CLAMP (L:170)	1	
37	25617-03F20-000	SHAFT, GEAR SHIFT LEVER	1	
38	09160-12011-000	WASHER (12.5X20X1)	1	
39	08331-3112A-000	CIRCLIP	1	

GSX150L6-2_P74_P

FIG.240A

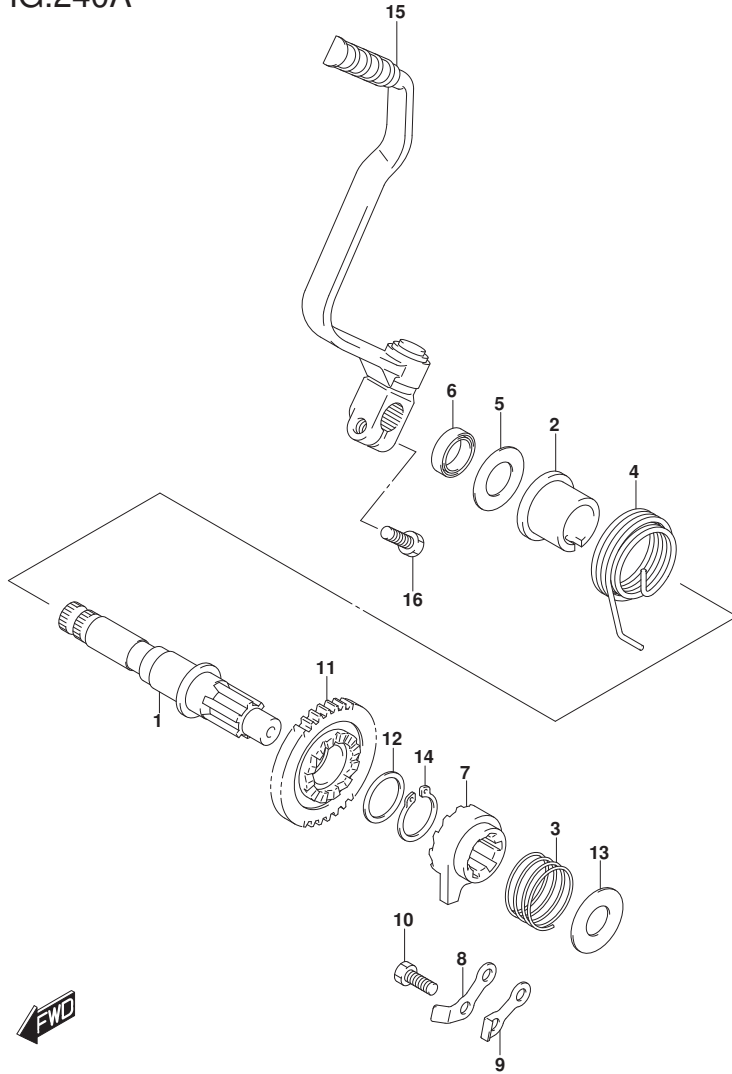


FIG.240A (1-C-10) KICK STARTER

REF NO.	PART NO.	DESCRIPTION	Q'TY	REMARKS
1	26211-34J00-000	SHAFT, KICK STARTER	1	
2	26221-34J00-000	GUIDE, KICK STARTER SHAFT SPR	1	
3	09440-30007-000	SPRING	1	
4	26212-34J00-000	SPRING, KICK SHAFT RETURN	1	
5	09160-18039-000	WASHER (18X36X1.5)	1	
6	09283-16L02-000	SEAL (15X24X7)	1	
7	26231-34J00-000	STARTER, KICK	1	
8	26232-09401-000	GUIDE, KICK STARTER	1	
9	26233-09400-000	STOPPER, KICK STARTER	1	
10	01500-0616A-000	BOLT	2	
11	26241-34J10-000	GEAR, KICK STARTER DRIVE (NT:30)	1	
12	09181-20139-000	SHIM (20X26X1)	1	
13	08211-14321-000	WASHER	1	
14	08331-3120A-000	CIRCLIP	1	
15	26300-34J00-000	LEVER ASSY, KICK STARTER	1	
16	26314-30H00-000	BOLT, KICK STARTER	1	

FIG.301A

FIG.301A (1-C-11) STARTING MOTOR

REF NO.	PART NO.	DESCRIPTION	QTY	REMARKS
1	31100-34J00-000	MOTOR ASSY, STARTING	1	
2	31130-34J00-000	.BRUSH TERMINAL SET	1	
3	31132-34J00-000	.BRUSH HOLDER SET	1	
4	31143-34J00-000	.O RING	1	
5	31150-34J00-000	.FRONT BRACKET	1	
6	31156-34J00-000	.O RING	1	
7	31170-34J00-000	.REAR BRACKET	1	
8	31172-34J00-000	.THRUST WASHER	1	
9	31183-34J00-000	.O RING	2	
10	31264-34J00-000	.SEAL	2	
11	31280-34J00-000	.BOLT SET	1	
12	01547-0625B-000	BOLT	2	
13	08361-3506A-000	NUT	1	

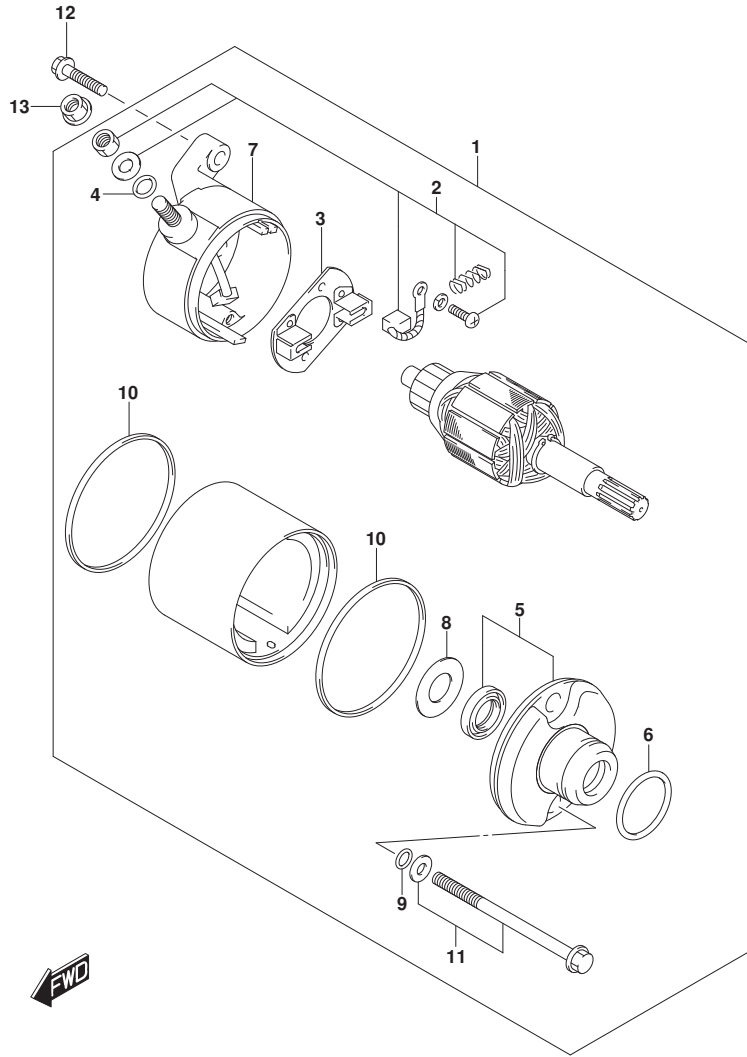


FIG.301A

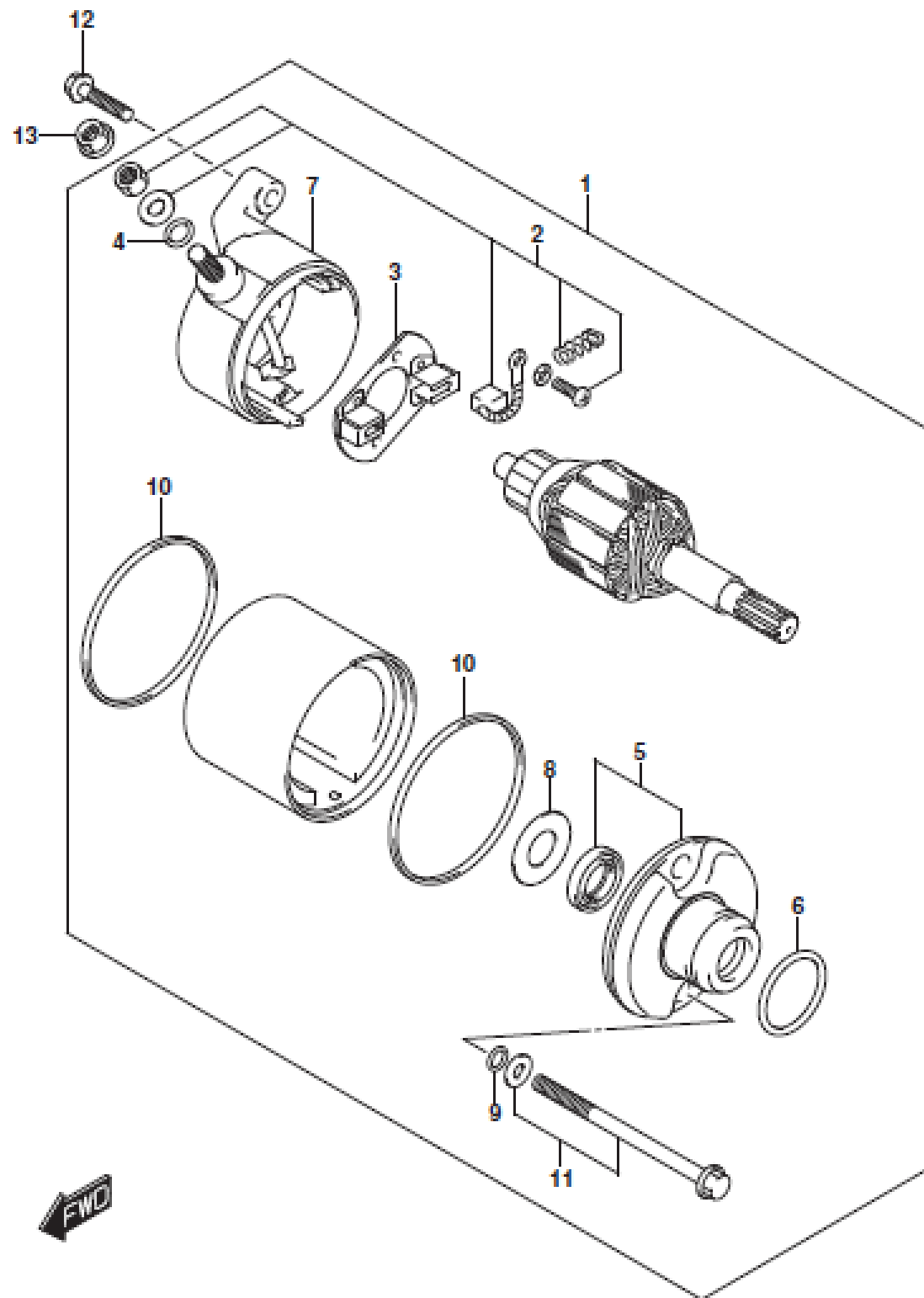


FIG.301A (1-C-11) STARTING MOTOR

REF NO.	PART NO.	DESCRIPTION	QTY	REMARKS
1	31100-34J00-000	MOTOR ASSY, STARTING	1	
2	31130-34J00-000	.BRUSH TERMINAL SET	1	
3	31132-34J00-000	.BRUSH HOLDER SET	1	
4	31143-34J00-000	.O RING	1	
5	31150-34J00-000	.FRONT BRACKET	1	
6	31156-34J00-000	.O RING	1	
7	31170-34J00-000	.REAR BRACKET	1	
8	31172-34J00-000	.THRUST WASHER	1	
9	31183-34J00-000	.O RING	2	
10	31264-34J00-000	.SEAL	2	
11	31280-34J00-000	.BOLT SET	1	
12	01547-0625B-000	BOLT	2	
13	08361-3506A-000	NUT	1	

FIG.303A

FIG.303A (1-C-12) MAGNETO

REF NO.	PART NO.	DESCRIPTION	QTY	REMARKS
1	32101-34J00-000	STATOR ASSY, MAGNETO	1	
2	32102-34J00-000	ROTOR ASSY, MAGNETO	1	
3	32371-16H00-000	CLAMP, STATOR LEAD	1	
4	07130-0512B-000	BOLT	2	SENSOR
5	07130-0530B-000	BOLT	3	STATOR
6	08316-1014B-000	NUT	1	
7	08341-31039-000	KEY	1	

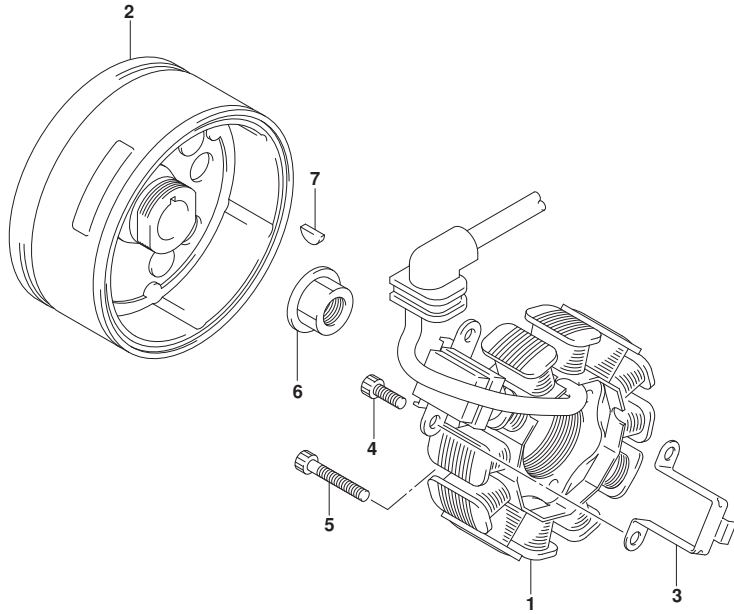


FIG.310A

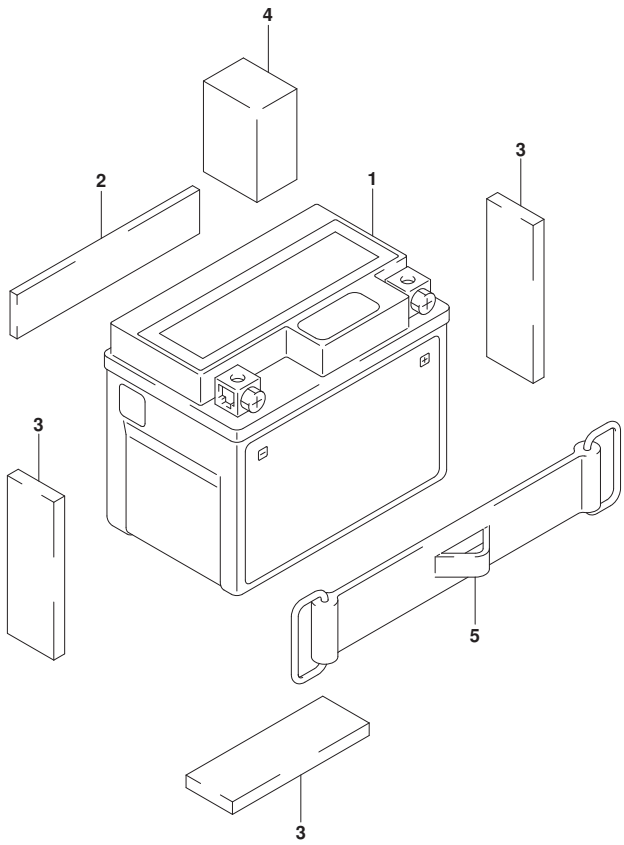


FIG.310A (1-C-13) BATTERY

REF NO.	PART NO.	DESCRIPTION	Q'TY	REMARKS
1-1	33610-39J00-000	BATTERY (ETZ-4, 12V3AH)	1	EXIDE
1-2	33610-39J10-000	BATTERY (ATZ4L, 12V3AH)	1	AMCO
2	33652-29100-000	PROTECTOR	1	
3	33652-34J00-000	PROTECTOR, BATTERY	3	
4	33652-34J10-000	PROTECTOR, BATTERY	1	
5	33651-34J00-000	BAND	1	



FIG.312A

FIG.312A (1-C-14) ELECTRICAL

REF NO.	PART NO.	DESCRIPTION	Q'TY	REMARKS
1	31800-34J00-000	RELAY, STARTING MOTOR	1	
2	08361-3506A-000	NUT	2	
3	32800-34J00-000	RECTIFIER ASSY	1	
4	01547-0630B-000	BOLT	2	
5	09160-06060-000	WASHER (6.5X20X1.2)	2	
6	09180-06325-000	SPACER (6.2X8.4X6.9)	2	
7	08316-1006B-000	NUT	2	
8	32900-34J00-000	CDI UNIT	1	
9	09280-63003-000	O RING (D:3.5,ID:62.6)	1	
10	33410-34J00-000	COIL ASSY, IGNITION	1	
11	01547-0616A-000	BOLT	2	
12	33510-34J00-000	CAP, SPARK PLUG	1	
13	33541-30H00-000	SEAL, SPARK PLUG	1	
14	33542-30H00-000	SEAL, HIGH TENSION CORD	1	

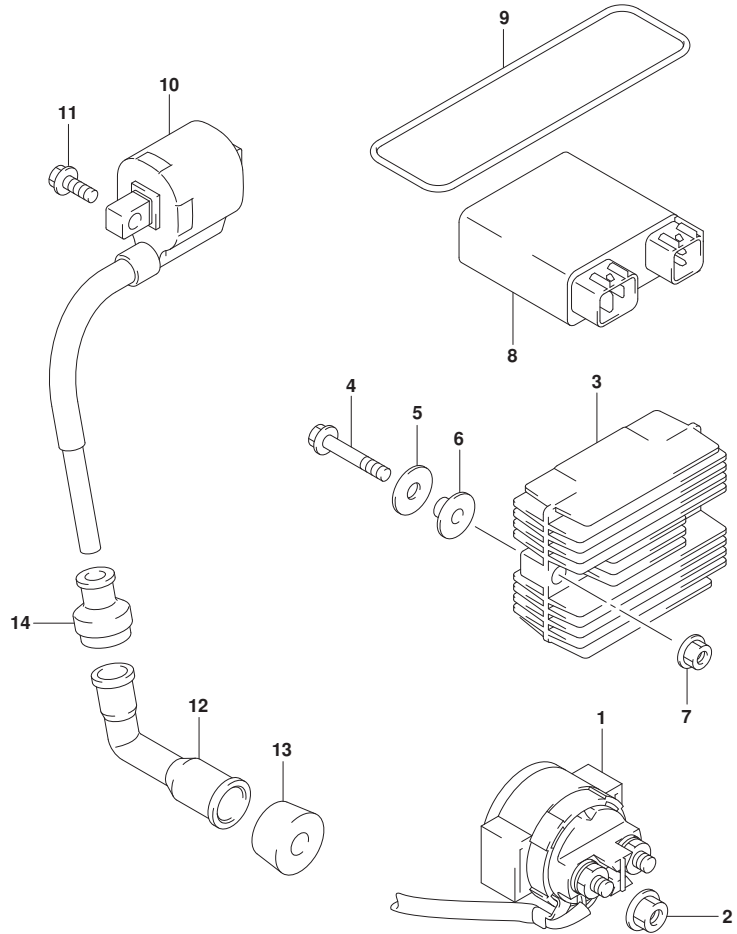


FIG.330A

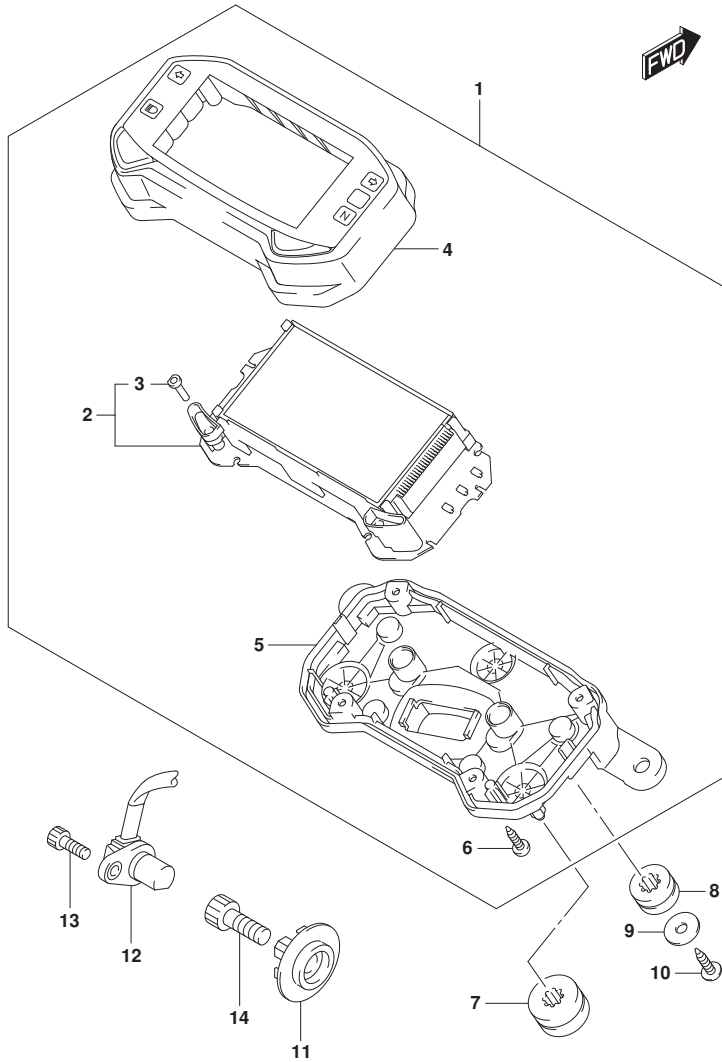


FIG.330A (1-C-15) SPEEDOMETER

REF NO.	PART NO.	DESCRIPTION	Q'TY	REMARKS
1	34100-34J00-000	SPEEDMETER ASSY	1	
2	34120-34J00-000	.SPEEDOMETER	1	
3	34124-34J00-000	..KNOB	2	
4	34150-34J00-000	.CASE, UPPER	1	
5	34111-34J00-000	.CASE, LOWER	1	
6	34383-10B00-000	.SCREW	6	NEW PN 09132-03008-000
7	34189-30H30-000	CUSHION, SPEEDOMETER	2	
8	34189-34J00-000	CUSHION, SPEEDOMETER	1	
9	09160-04026-000	WASHER (4.5X16X1.2)	1	
10	03541-0416A-000	SCREW	1	
11	34981-25G00-000	ROTOR, SPEED	1	
12-1	34990-30H00-000	SENSOR, SPEED	1	JNS
12-2	34990-34J00-000	SENSOR, SPEED	1	STAR
13	07130-0512B-000	BOLT	1	
14	07130-0816B-000	BOLT	1	

FIG.333A

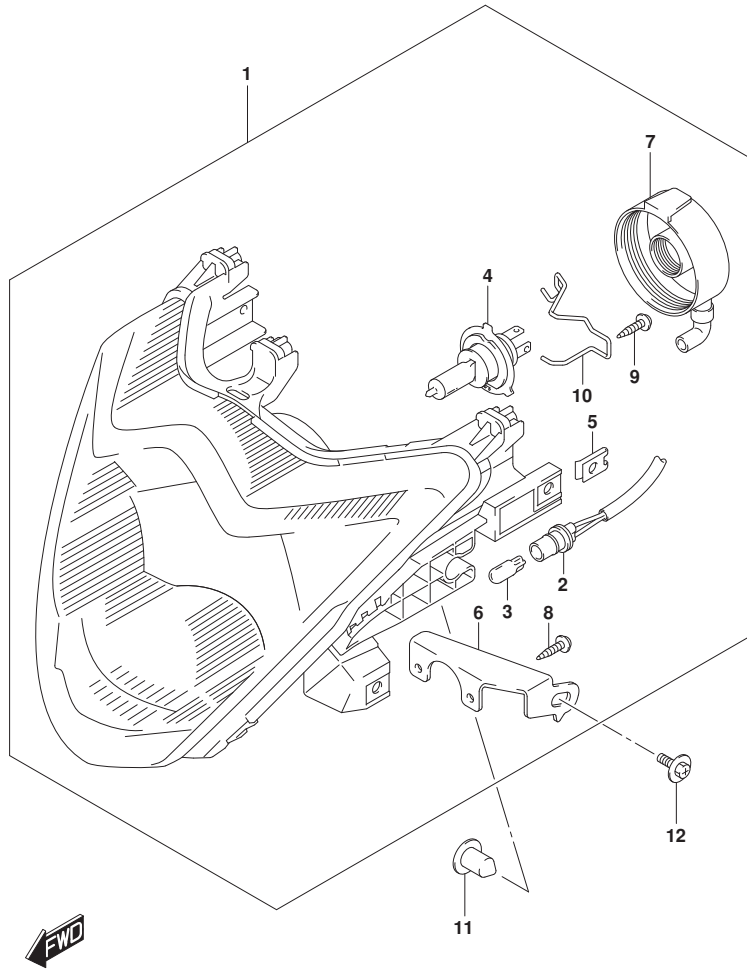


FIG.333A (1-D-2) HEADLAMP

REF NO.	PART NO.	DESCRIPTION	Q'TY	REMARKS
1	35100-34J20-000	HEADLAMP ASSY	1	
2	36618-12345-000	.CORD ASSY	1	
3	09471-12216-000	.BULB (12V5W)	1	
4	09471-12101-000	.BULB (12V,35/35W)	1	
5	35157-34J00-000	.CLIP	4	
6	35159-34J00-000	.BRACKET	1	
7	35174-34J00-000	.COVER, SOCKET	1	
8	35181-0412B-000	.SCREW	2	
9	35183-34J00-000	.SCREW	1	
10	35186-25J00-000	.SPRING	1	
11	51831-30H00-000	CUSHION, COWLING BRACE	2	
12	09136-05070-000	SCREW	1	

FIG.334A

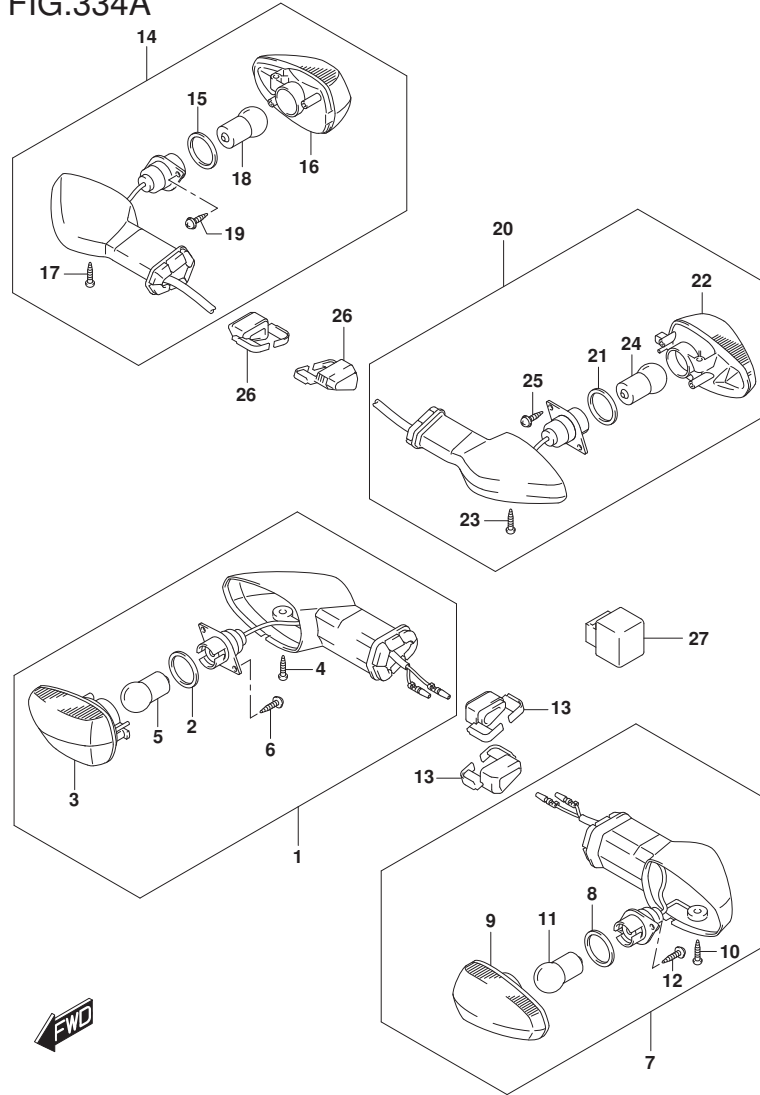


FIG.334A (1-D-3) TURNSIGNAL LAMP

REF NO.	PART NO.	DESCRIPTION	Q'TY	REMARKS
1	35601-34J10-000	LAMP ASSY, FR TURNSIGNAL RH	1	
2	35613-34J00-000	.GASKET	1	
3	35614-34J10-000	.LAMP UNIT	1	
4	35623-34J10-000	.SCREW	1	
5	09471-12226-000	.BULB (12V,10W)	1	AMBER
6	35623-34J20-000	.SCREW	2	
7	35602-34J10-000	LAMP ASSY, FR TURNSIGNAL LH	1	
8	35613-34J00-000	.GASKET	1	
9	35634-34J10-000	.LAMP UNIT	1	
10	35623-34J10-000	.SCREW	1	
11	09471-12226-000	.BULB (12V,10W)	1	AMBER
12	35623-34J20-000	.SCREW	2	
13	35629-34J00-000	PLATE, TURNSIGNAL	2	
14	35603-34J10-000	LAMP ASSY, RR TURNSIGNAL RH	1	
15	35613-34J00-000	.GASKET	1	
16	35634-34J10-000	.LAMP UNIT	1	
17	35623-34J10-000	.SCREW	1	
18	09471-12226-000	.BULB (12V,10W)	1	AMBER
19	35623-34J20-000	.SCREW	2	
20	35604-34J10-000	LAMP ASSY, RR TURNSIGNAL LH	1	
21	35613-34J00-000	.GASKET	1	
22	35614-34J10-000	.LAMP UNIT	1	
23	35623-34J10-000	.SCREW	1	
24	09471-12226-000	.BULB (12V,10W)	1	AMBER
25	35623-34J20-000	.SCREW	2	
26	35629-34J00-000	PLATE, REAR TURNSIGNAL	2	
27	38610-23J10-000	RELAY ASSY, TURNSIGNAL	1	

FIG.339A

FIG.339A (1-D-4) REAR COMBINATION LAMP

REF NO.	PART NO.	DESCRIPTION	Q'TY	REMARKS
1	35710-34J01-000	LAMP ASSY, REAR COMBINATION	1	
2	35716-34J00-000	.RUBBER	1	
3	47155-30H00-000	SCREW, FRAME COVER RR	1	
4	03541-0516A-000	SCREW	2	
5	35910-16G71-000	LAMP ASSY, LICENSE	1	
6	35912-30H01-000	.LENS	1	
7	35913-30H00-000	.GASKET	1	
8	35917-30H00-000	.COVER	1	
9	35926-30H00-000	.WASHER	2	
10	09471-12216-000	.BULB (12V5W)	1	
11	03211-04203-000	.SCREW	2	
12	09160-05501-000	WASHER (5.5X20X1.2)	2	
13	03541-0520A-000	SCREW	2	
14	09407-14407-000	CLAMP (L:145)	1	
15	35970-28G00-000	REFLEX REFLECTOR RR	1	
16	08316-1005B-000	NUT	1	

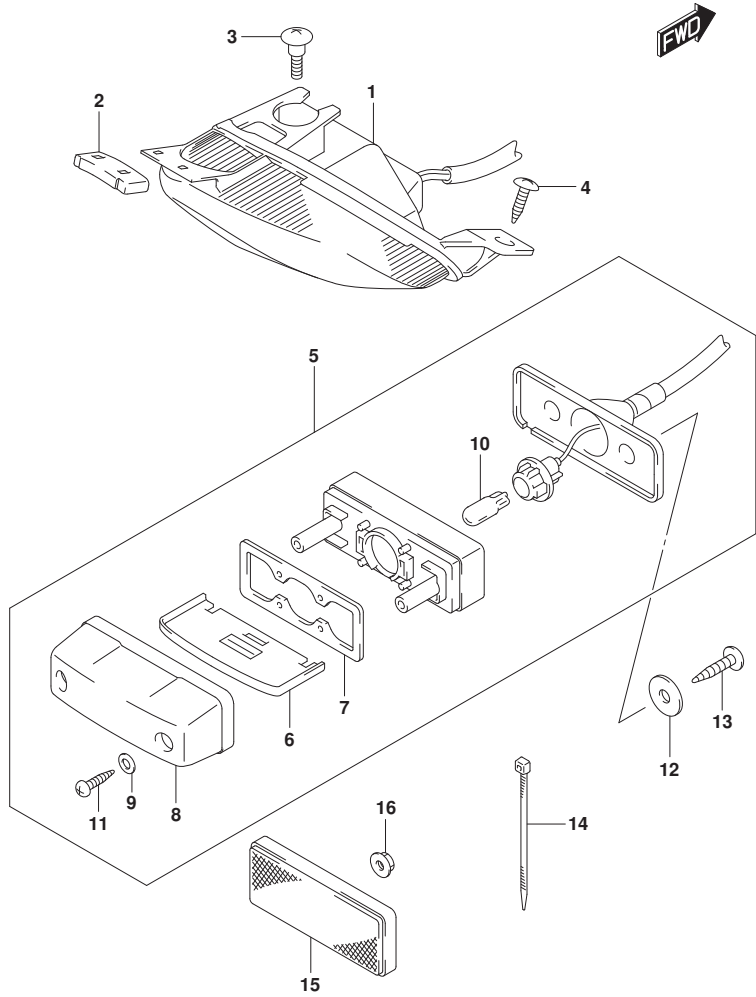


FIG.350A

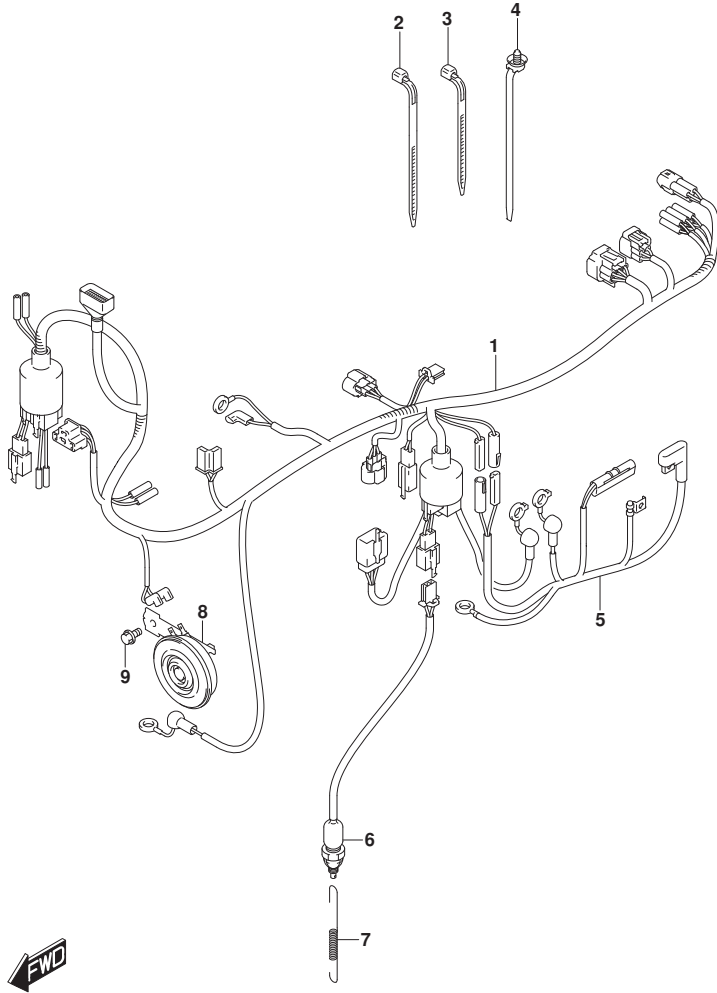


FIG.350A (1-D-5) WIRING HARNESS

REF NO.	PART NO.	DESCRIPTION	Q'TY	REMARKS
1	36610-34J40-000	HARNESS, WIRING	1	
2	36990-70F20-000	CLAMP	4	
3	09407-14L01-000	CLAMP (L:125)	3	
4	09407-15L01-000	CLAMP (L:170)	1	
5	33820-34J20-000	WIRE, BATTERY PLUS LEAD	1	
6	37740-34J10-000	SWITCH ASSY, STOP LAMP	1	
7	43232-34J00-000	SPRING	1	
8	38502-28G13-000	HORN ASSY	1	
9	01550-0610A-000	BOLT	1	

FIG.352A

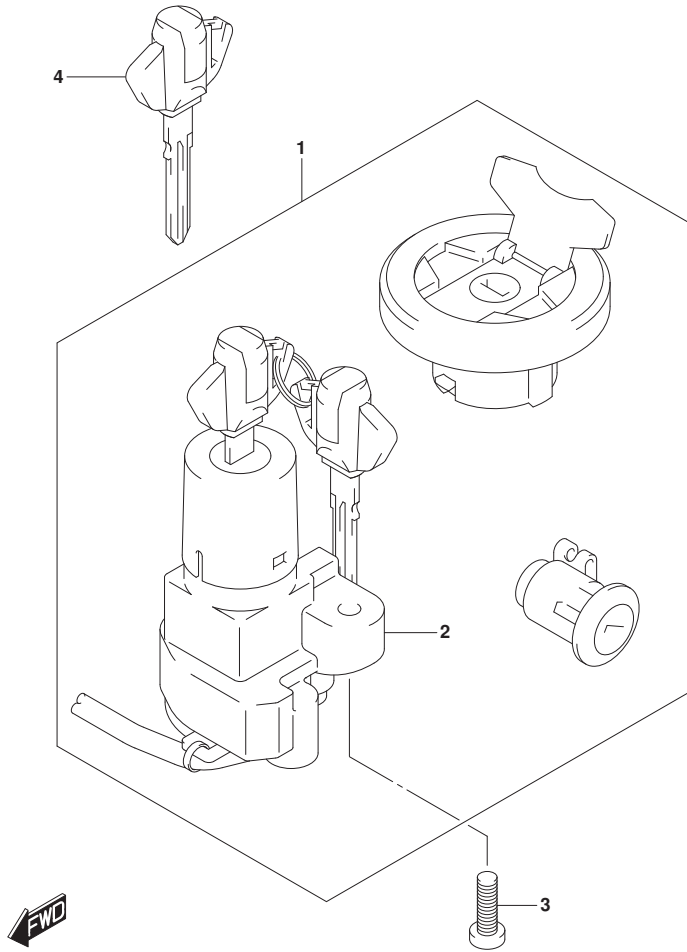


FIG.352A (1-D-6) LOCK SET

REF NO.	PART NO.	DESCRIPTION	Q'TY	REMARKS
1	37000-34850-000	LOCK SET	1	NEW PN 37019-34J00-000
2	37100-34J50-000	.LOCK ASSY, STEERING	1	
3	37152-30H00-000	BOLT, STEERING LOCK	1	
4	37146-34J20-000	KEY, BLANK	1	OPT

FIG.355A

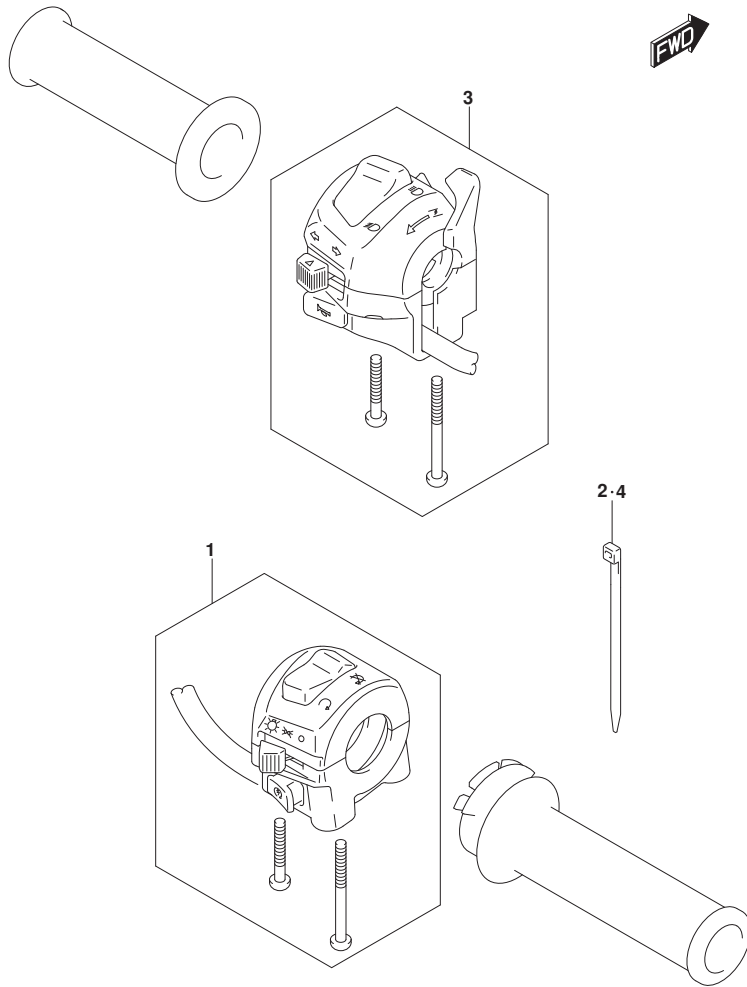


FIG.355A (1-D-7) HANDLE SWITCH

REF NO.	PART NO.	DESCRIPTION	Q'TY	REMARKS
1	37200-34J00-000	SWITCH ASSY, HANDLE RH	1	
2	09407-14407-000	CLAMP (L:145)	1	
3	37400-34J00-000	SWITCH ASSY, HANDLE LH	1	
4	09407-14407-000	CLAMP (L:145)	1	

FIG.401A

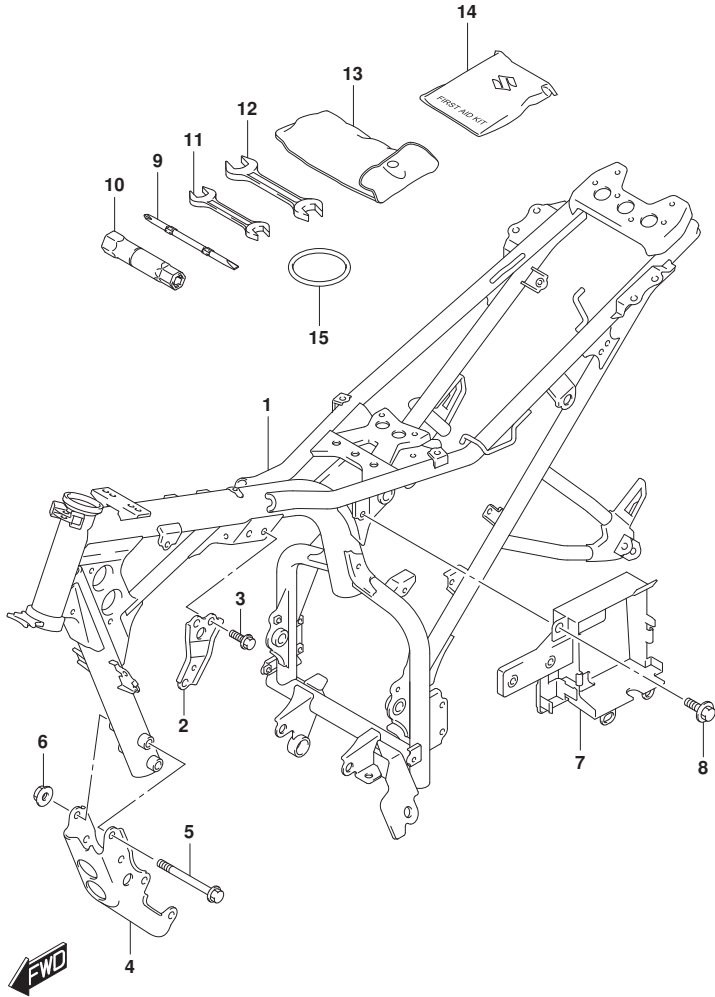


FIG.401A (1-D-8) FRAME

REF NO.	PART NO.	DESCRIPTION	Q'TY	REMARKS
1	41100-34J30-000	FRAME	1	
2	41991-34J00-000	PLATE, ENG MTG UPPER	1	
3	01550-0816A-000	BOLT	2	
4	41990-34J00-000	BRACKET, ENG MTG LOWER	1	
5	41933-34J00-000	BOLT, ENG MTG LOWER	2	
6	08319-3110B-000	NUT	2	
7	41542-34J00-000	HOLDER, BATTERY	1	
8	09111-06063-000	BOLT	3	
9	96412-33G50-000	DRIVER (+)(-)	1	
10	96414-33G50-000	SPANNER, BOX (16)	1	
11	96513-23J00-000	SPANNER, OPEN (10X12)	1	
12	96513-23J10-000	SPANNER, OPEN (14X17)	1	
13	96511-34J00-000	BAG, TOOL	1	
14	94990-28G10-000	SET, FIRST AID	1	
15	47435-34J00-000	BAND, TOOL	1	

FIG.407A

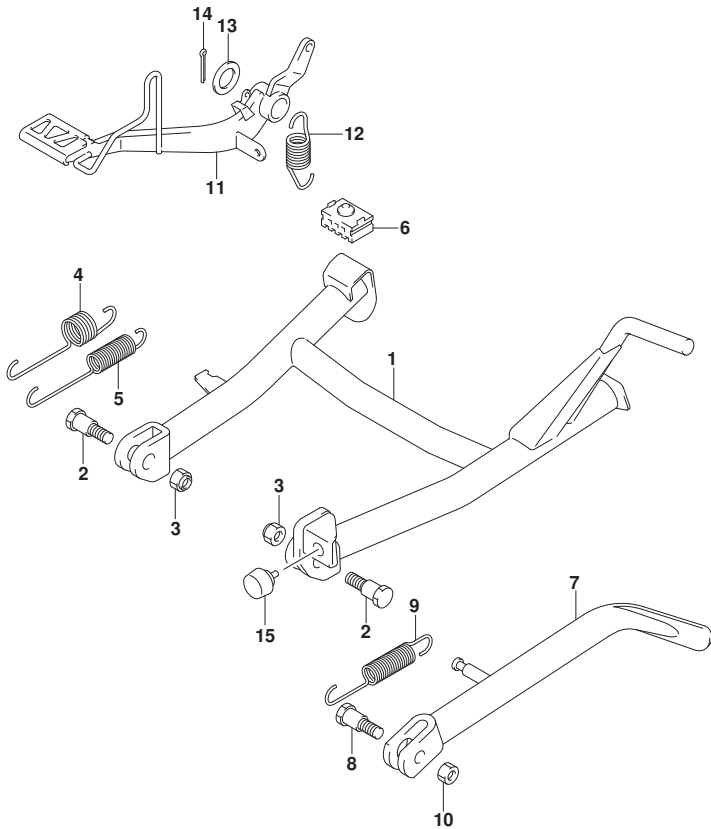


FIG.407A (1-D-9) STAND

REF NO.	PART NO.	DESCRIPTION	Q'TY	REMARKS
1	42100-34J20-000	STAND, CENTER	1	
2	09111-10047-000	BOLT (10X30)	2	
3	08319-2110B-000	NUT	2	
4	42241-34J00-000	SPRING, CENTER STAND NO.1	1	
5	42242-34J00-000	SPRING, CENTER STAND NO.2	1	
6	42278-34J00-000	STOPPER, CENTER STAND	1	
7	42310-34J20-000	STAND, PROP	1	
8	42411-33G10-000	BOLT (10X33)	1	
9	09443-15033-000	SPRING	1	
10	08319-2110B-000	NUT	1	
11	43110-34J10-000	PEDAL, BRAKE	1	
12	43211-23J00-000	SPRING	1	
13	09160-15002-000	WASHER (15.5X26X2.3)	1	
14	04111-3025A-000	COTTER PIN	1	
15	42272-09J00-000	CUSHION, CENTER STAND	1	



FIG.410A

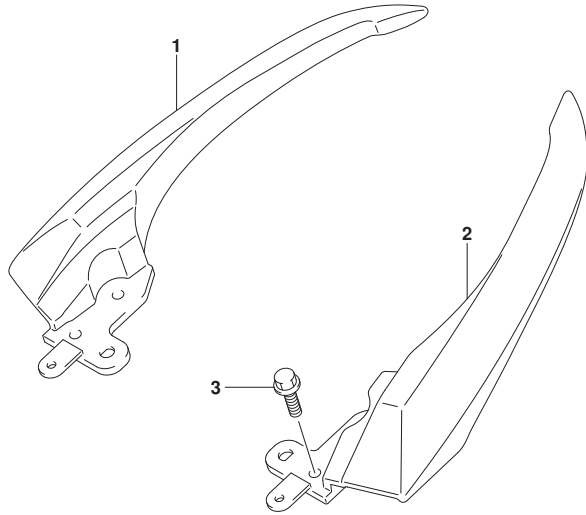


FIG.410A (1-D-10) PILLION RIDER HANDLE

REF NO.	PART NO.	DESCRIPTION	Q'TY	REMARKS
1-1	46231-34J00-YHG	HANDLE, PILLION RIDER RH (GRAY)	1	
1-2	46231-34J00-YVB	HANDLE, PILLION RIDER RH (BLACK)	1	
1-3	46231-34J00-19A	HANDLE, PILLION RIDER RH (RED)	1	
2-1	46211-34J00-YHG	HANDLE, PILLION RIDER LH (GRAY)	1	
2-2	46211-34J00-YVB	HANDLE, PILLION RIDER LH (BLACK)	1	
2-3	46211-34J00-19A	HANDLE, PILLION RIDER LH (RED)	1	
3	01550-0825A-000	BOLT	4	



FIG.415A

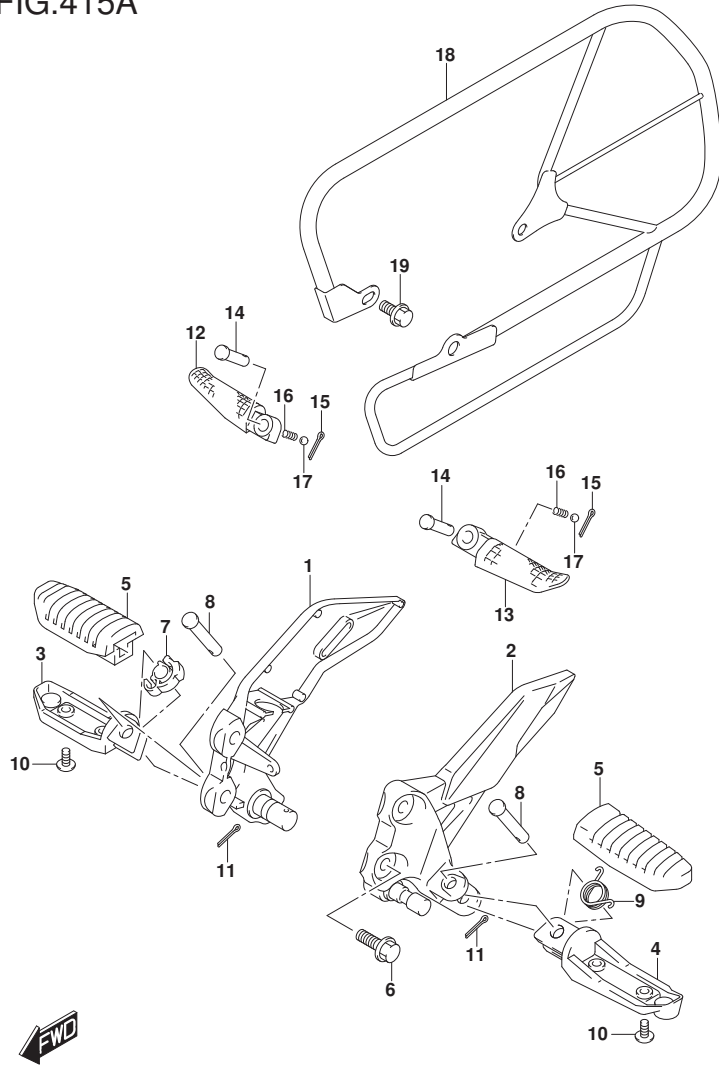


FIG.415A (1-D-11) FOOTREST

REF NO.	PART NO.	DESCRIPTION	Q'TY	REMARKS
1	43510-34J11-000	BRACKET, FOOTREST RH	1	
2	43521-34J00-000	BRACKET, FOOTREST LH	1	
3	43571-34J00-000	BAR, FRONT FOOTREST RH	1	
4	43581-34J00-000	BAR, FRONT FOOTREST LH	1	
5	43550-44G30-000	RUBBER, FOOTREST	2	
6	01550-0825A-000	BOLT	4	
7	43532-34J00-000	STOPPER, FR FOOTREST BAR	1	
8	43529-34J00-000	PIN	2	
9	09448-16033-000	SPRING	1	
10	02142-0512B-000	SCREW	4	
11	04111-2515A-000	PIN	2	
12	43611-37H00-000	BAR, PILLION FOOTREST RH	1	
13	43621-37H00-000	BAR, PILLION FOOTREST LH	1	
14	43529-34J10-000	PIN, PILLION FOOTREST	2	
15	09385-08003-000	PIN	2	
16	09440-05003-000	SPRING	2	
17	06111-07004-000	BALL	2	
18	43680-48H10-000	GUARD, REAR SIDE	1	
19	01550-0812B-000	BOLT	3	

FIG.420A

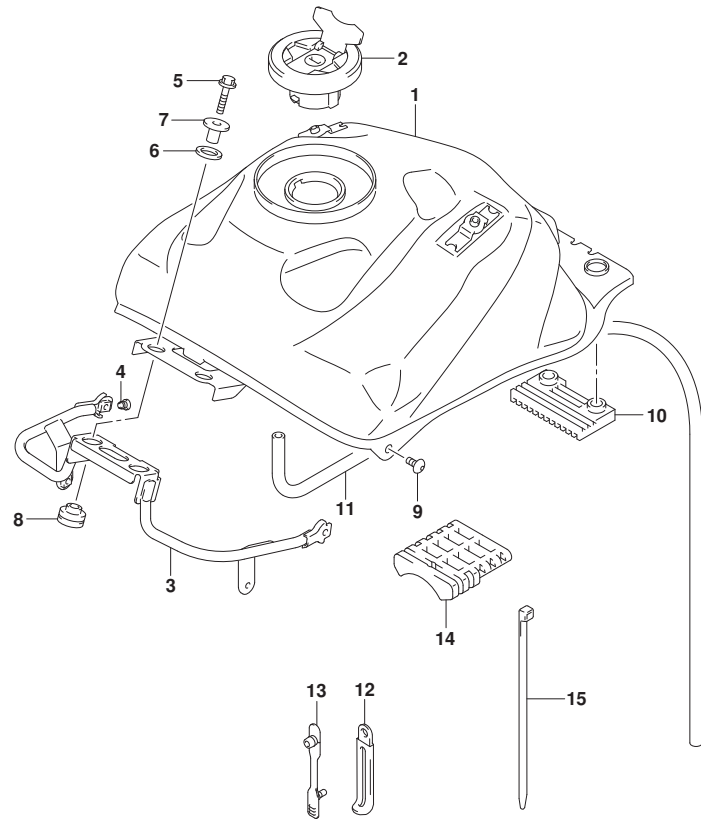


FIG.420A (1-D-12) FUEL TANK

REF NO.	PART NO.	DESCRIPTION	Q'TY	REMARKS
1	44100-34J10-000	TANK ASSY, FUEL	1	
2	44200-34J10-000	CAP ASSY, FUEL TANK	1	
3	44520-34J20-000	BRACE, FUEL TANK FRONT	1	
4	44515-34J10-000	CUSHION, FUEL TANK FR BRACE	2	
5	01550-0630A-000	BOLT	2	
6	44512-34J10-000	CUSHION, FUEL TANK FRONT	2	
7	44514-34J00-000	SPACER, FUEL TANK FRONT	2	
8	44511-34J10-000	CUSHION, FUEL TANK FRONT LOWER	2	
9	09139-06139-000	SCREW (6X16)	2	
10	44542-34J10-000	CUSHION, FUEL TANK REAR LOWER	1	
11	44423-34J01-000	HOSE, FUEL TANK DRAIN	1	
12	09404-06429-000	CLAMP (L:45)	1	
13	09407-05406-000	CLAMP (L:118)	1	
14	44541-34J10-000	CUSHION, FUEL TANK CENTER	1	
15	44549-34J00-000	CLAMP, FUEL TANK CUSHION CENTER	1	

FIG.421A

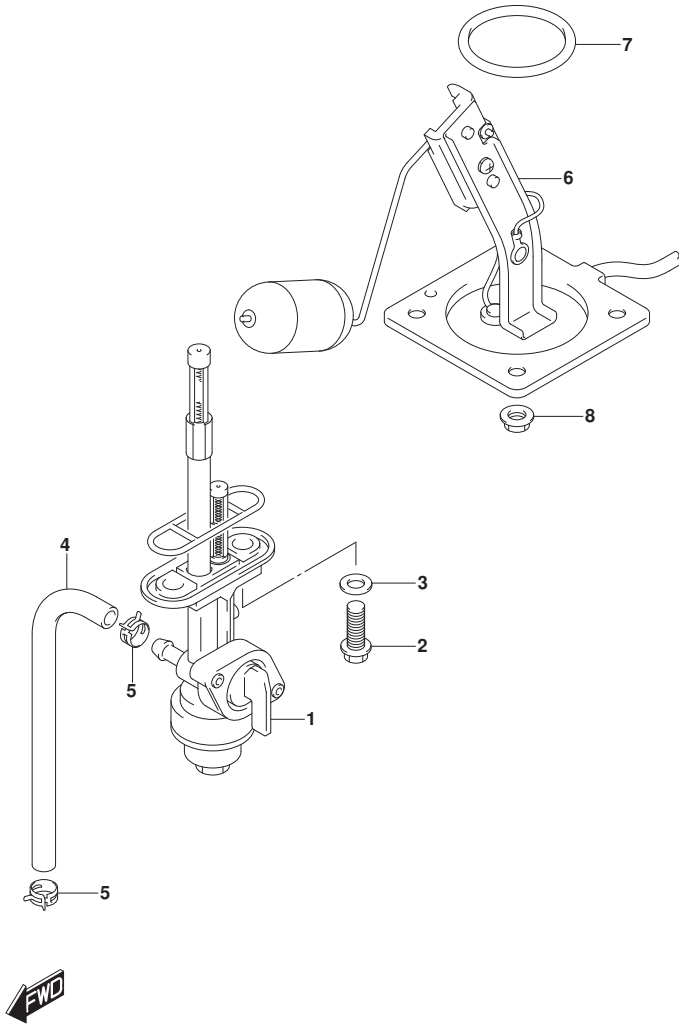


FIG.421A (1-D-13) FUEL COCK

REF NO.	PART NO.	DESCRIPTION	Q'TY	REMARKS
1	44300-05J10-000	COCK ASSY, FUEL	1	
2	01547-0620A-000	BOLT	2	
3	44366-23J00-000	GASKET	2	
4	44421-34J00-000	HOSE, FUEL UPPER	1	
5	09401-09L03-000	CLIP	2	
6	34810-34J00-000	GAUGE ASSY, FUEL LEVEL	1	
7	34825-28G00-000	O RING, FUEL LEVEL SENDER	1	
8	08316-1006B-000	NUT	4	

FIG.423A

FIG.423A (1-D-14) FUEL TANK COVER

REF NO.	PART NO.	DESCRIPTION	Q'TY	REMARKS
1-1	44192-34J00-YHG	COVER, FUEL TANK RH (GRAY)	1	
1-2	44192-34J00-YSF	COVER, FUEL TANK RH (BLUE)	1	
1-3	44192-34J00-YVB	COVER, FUEL TANK RH (BLACK)	1	
1-4	44192-34J00-19A	COVER, FUEL TANK RH (RED)	1	
2-1	44193-34J00-YHG	COVER, FUEL TANK LH (GRAY)	1	
2-2	44193-34J00-YSF	COVER, FUEL TANK LH (BLUE)	1	
2-3	44193-34J00-YVB	COVER, FUEL TANK LH (BLACK)	1	
2-4	44193-34J00-19A	COVER, FUEL TANK LH (RED)	1	
3-1	44191-34J00-YHG	COVER, FUEL TANK CENTER (GRAY)	1	
3-2	44191-34J00-YSF	COVER, FUEL TANK CENTER (BLUE)	1	
3-3	44191-34J00-YVB	COVER, FUEL TANK CENTER (BLACK)	1	
3-4	44191-34J00-19A	COVER, FUEL TANK CENTER (RED)	1	
4	44513-34J00-000	BOLT, FUEL TANK COVER	12	
5	47349-34J00-000	NUT, FUEL TANK COVER	9	
6	44211-34J01-000	COVER, FUEL TANK CAP	1	
7	44271-34J01-000	CUSHION, FUEL TANK COVER	2	
8	44281-34J00-000	CUSHION, FUEL TANK SIDE	2	
9	44282-34J01-000	CUSHION, FUEL TANK COVER CTR	1	
10	44295-34J00-000	RUBBER, FUEL TANK COVER	1	
11	44284-34J00-000	PROTECTOR, FUEL TANK COV NO.1 RH	1	
12	44285-34J00-000	PROTECTOR, FUEL TANK COV NO.1 LH	1	

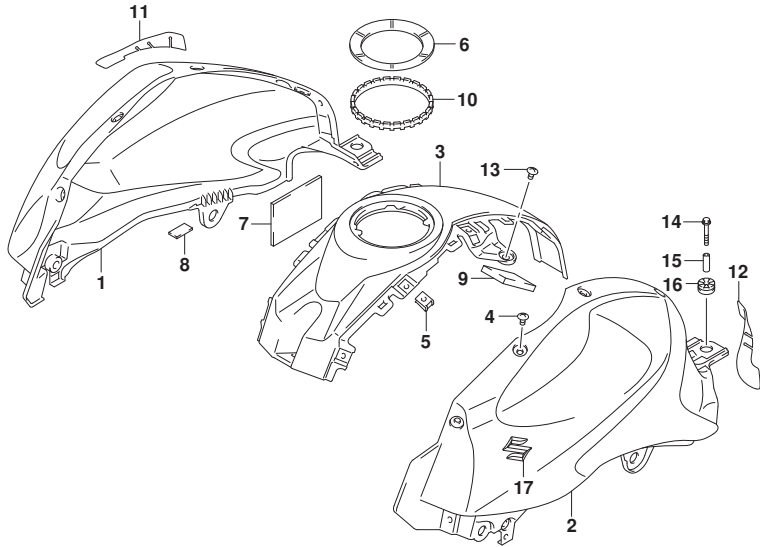


FIG.423A

FIG.423A (1-D-15) FUEL TANK COVER

REF NO.	PART NO.	DESCRIPTION	Q'TY	REMARKS
13	02142-0608A-000	SCREW	2	
14	01550-0640A-000	BOLT	2	
15	09180-06222-000	SPACER (6.2X10X30)	2	
16	44543-34J10-000	CUSHION, FUEL TANK REAR UPPER	2	
17	68111-34J10-000	EMBLEM,S	2	

- 68184-34J10-APS TAPE, FUEL TANK COVER RH (RED/BLACK) 1
- 68184-34J10-BAQ TAPE, FUEL TANK COVER RH(BLUE/WHITE) 1
- 68194-34J10-APS TAPE, FUEL TANK COVER LH(RED/BLACK) 1
- 68194-34J10-BAQ TAPE, FUEL TANK COVER LH(BLUE/WHITE) 1

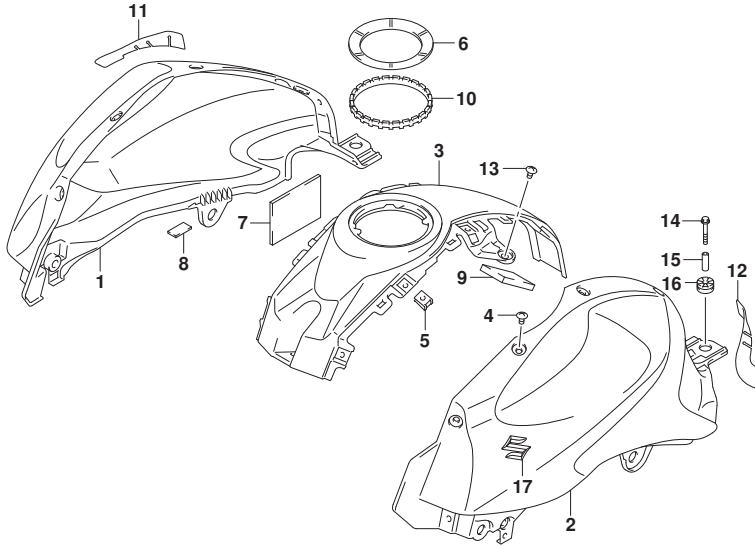


FIG.424A

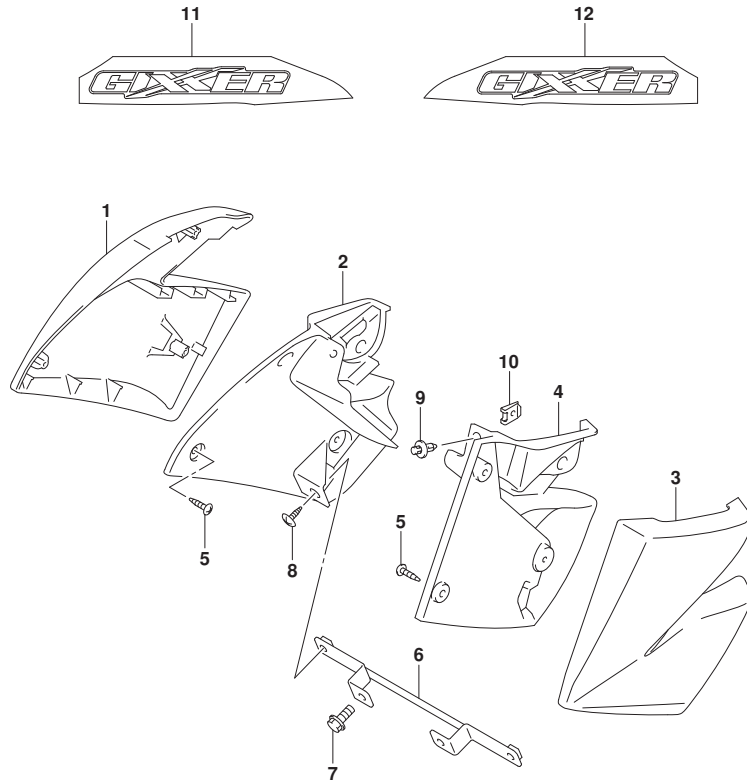


FIG.424A (1-E-2) FUEL TANK SIDE COVER

REF NO.	PART NO.	DESCRIPTION	Q'TY	REMARKS
1-1	47121-34J00-YHG	COVER, FRAME FRONT RH (GRAY)	1	
1-2	47121-34J00-YSF	COVER, FRAME FRONT RH (BLUE)	1	
1-3	47121-34J00-YVB	COVER, FRAME FRONT RH (BLACK)	1	
1-4	47121-34J00-19A	COVER, FRAME FRONT RH (RED)	1	
2	47131-34J00-000	COVER, FRAME FRONT INNER RH	1	
3-1	47221-34J00-YHG	COVER, FRAME FRONT LH (GRAY)	1	
3-2	47221-34J00-YSF	COVER, FRAME FRONT LH (BLUE)	1	
3-3	47221-34J00-YVB	COVER, FRAME FRONT LH (BLACK)	1	
3-4	47221-34J00-19A	COVER, FRAME FRONT LH (RED)	1	
4	47231-34J00-000	COVER, FRAME FRONT INNER LH	1	
5	03541-0416B-000	SCREW	8	
6	47180-34J00-000	BRACKET, FRAME COV FR CTR	1	
7	01550-0616B-000	BOLT	2	
8	09139-06165-000	SCREW (6X16)	2	
9	09409-06L07-000	CLIP	2	
10	09148-05060-000	NUT	2	
11-1	68665-34J00-AYU	TAPE, FRAME COVER FRONT RH	1	FOR YVB
11-2	68665-34J00-AYV	TAPE, FRAME COVER FRONT RH	1	FOR 19A
11-3	68665-34J00-AYW	TAPE, FRAME COVER FRONT RH	1	FOR YHG
11-4	68665-34J00-AY1	TAPE, FRAME COVER FRONT RH	1	FOR YSF
12-1	68666-34J00-AYU	TAPE, FRAME COVER FRONT LH	1	FOR YVB
12-2	68666-34J00-AYV	TAPE, FRAME COVER FRONT LH	1	FOR 19A
12-3	68666-34J00-AYW	TAPE, FRAME COVER FRONT LH	1	FOR YHG
12-4	68666-34J00-AY1	TAPE, FRAME COVER FRONT LH	1	FOR YSF
	68675-34J00-APS	TAPE, FRAME COVER FRONT LWR,R(RED/BLACK)	1	
	68675-34J00-BAQ	TAPE, FRAME COVER FRONT LWR, R(BLUE/WHITE)	1	
	68685-34J00-APS	TAPE, FRAME COVER FRONT LWR, L(RED/BLACK)	1	
	68685-34J00-BAQ	TAPE, FRAME COVER FRONT LWR, L(BLUE/WHITE)	1	

FIG.445A

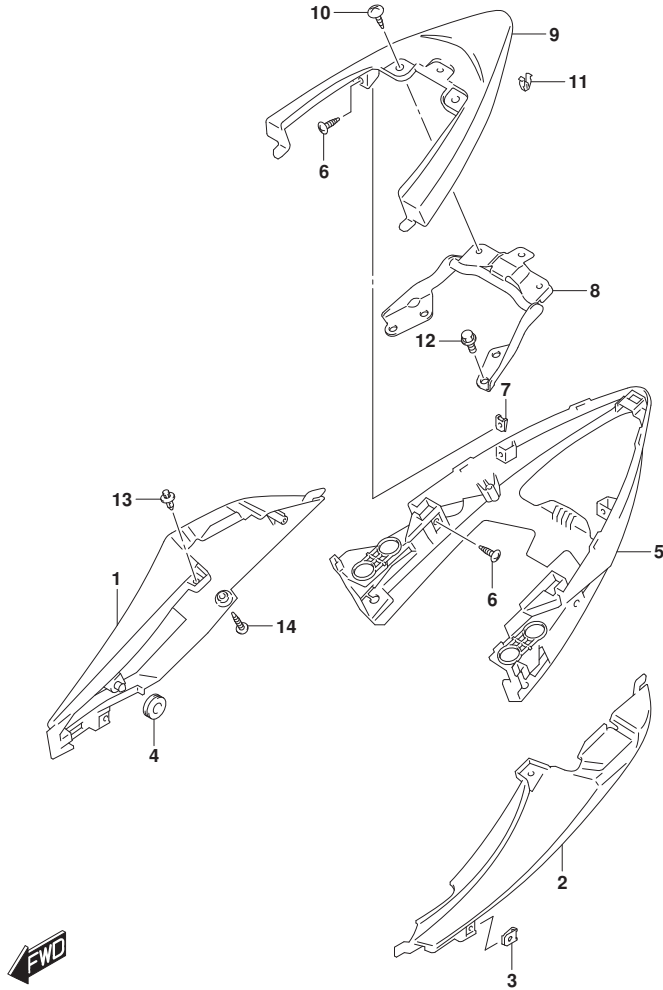


FIG.445A (1-E-3) FRAME COVER

REF NO.	PART NO.	DESCRIPTION	Q'TY	REMARKS
1-1	47831-34J00-YHG	COVER, FRAME UPPER RH (GRAY)	1	
1-2	47831-34J00-YSF	COVER, FRAME UPPER RH (BLUE)	1	
1-3	47831-34J00-YVB	COVER, FRAME UPPER RH (BLACK)	1	
1-4	47831-34J00-19A	COVER, FRAME UPPER RH (RED)	1	
2-1	47841-34J00-YHG	COVER, FRAME UPPER LH (GRAY)	1	
2-2	47841-34J00-YSF	COVER, FRAME UPPER LH (BLUE)	1	
2-3	47841-34J00-YVB	COVER, FRAME UPPER LH (BLACK)	1	
2-4	47841-34J00-19A	COVER, FRAME UPPER LH (RED)	1	
3	09148-05060-000	NUT	2	
4	47162-30H00-000	CUSHION, FRAME COVER	2	
5	47861-34J00-000	COVER, FRAME CENTER LWR	1	
6	03541-0516A-000	SCREW	4	
7	09148-05060-000	NUT	2	
8	47190-34J00-000	BRACKET, FRAME COVER	1	
9	47851-34J00-YKV	COVER, FRAME CENTER (BLACK)	1	
10	09139-06165-000	SCREW (6X16)	2	
11	09409-08L09-000	CLIP	1	
12	01550-0616A-000	BOLT	4	
13	09409-06L07-000	CLIP	2	
14	03541-0516B-000	SCREW	2	

FIG.446A

FIG.446A (1-E-4) FRAME LOWER COVER

REF NO.	PART NO.	DESCRIPTION	Q'TY	REMARKS
1	47111-34J00-000	COVER, FRAME RH	1	
2	47421-34J00-YMG	COVER, FRAME NO.2 RH (SILVER)	1	WRONG PART
3	47211-34J00-000	COVER, FRAME LH	1	
4	47521-34J00-YMG	COVER, FRAME NO.2 LH (SILVER)	1	WRONG PART
5	03541-0416A-000	SCREW	2	
6	47162-30H00-000	CUSHION, FRAME COVER	2	
7	02142-0616A-000	SCREW	2	
8	09160-06060-000	WASHER	2	
9	09180-06283-000	SPACER (6.5X10X7)	2	
10	47161-23J00-000	CUSHION,FRAME COVER UPPER	2	
11	03541-0516A-000	SCREW	2	
12	03541-0516A-000	SCREW	2	
13	47911-34J00-000	COVER, FRAME LOWER RH	1	
14	47921-34J00-000	COVER, FRAME LOWER LH	1	
15	03541-0516B-000	SCREW	2	
16	09111-06088-000	BOLT (6X13.5)	2	
17	09148-05060-000	NUT	2	
18	94413-30H00-000	BOLT, FRAME COVER LOWER	2	
19	68136-39J00-000	EMBLEM, FRAME COVER	1	
20	68141-33G90-AY2	EMBLEM, SUZUKI (SILVER)	2	WRONG PART
20-1	68141-33G90-YPA	EMBLEM. SUZUKI (WHITE)	1	
20-2	68141-33G90-YVB	EMBLEM. SUZUKI (BLACK)	1	
2-1	47421-34J00-19A	COVER, FRAME NO.2 RH (RED)	1	
2-2	47421-34J00-YSF	COVER, FRAME NO.2 RH (BLUE)	1	
4-1	47521-34J00-19A	COVER, FRAME NO.2 LH (RED)	1	
4-2	47521-34J00-YSF	COVER, FRAME NO.2 LH (BLUE)	1	

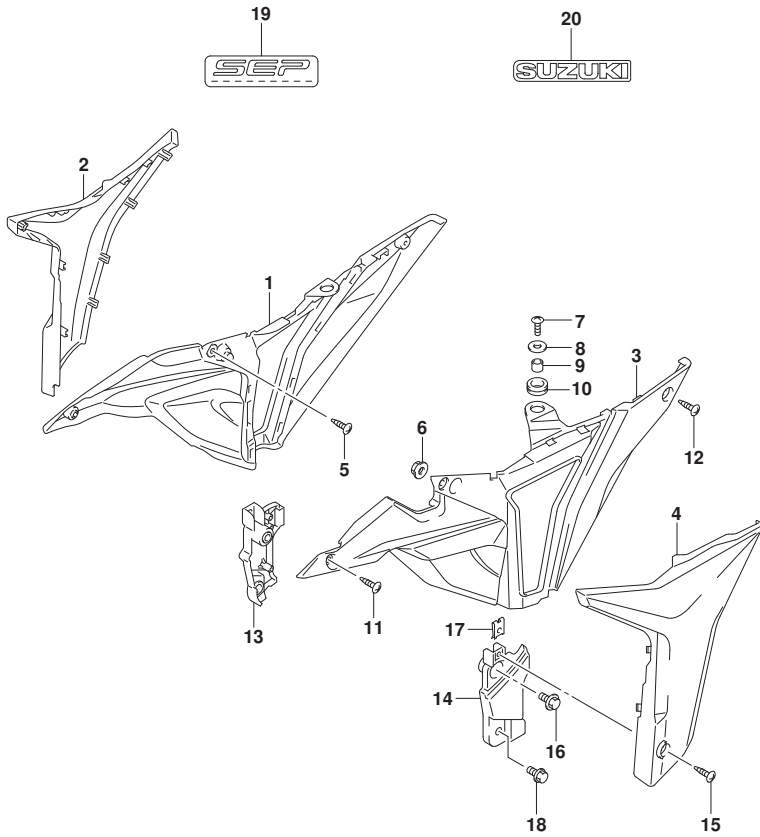


FIG.451A

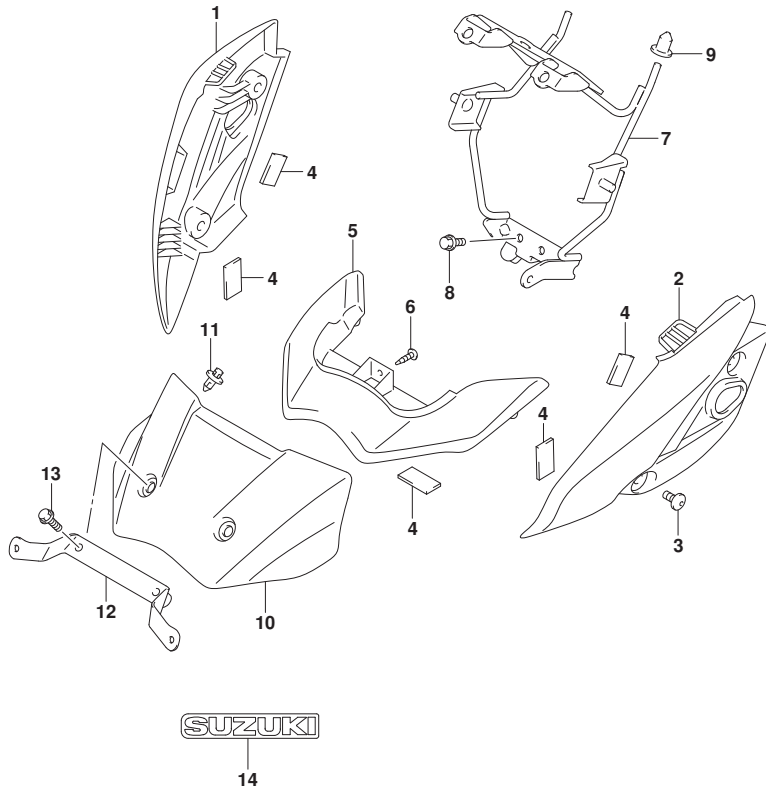


FIG.451A (1-E-5) HEADLAMP HOUSING

REF NO.	PART NO.	DESCRIPTION	Q'TY	REMARKS
1-1	51811-34J00-YHG	HOUSING, HEADLAMP RH (GRAY)	1	
1-2	51811-34J00-YSF	HOUSING, HEADLAMP RH (BLUE)	1	
1-3	51811-34J00-YVB	HOUSING, HEADLAMP RH (BLACK)	1	
1-4	51811-34J00-19A	HOUSING, HEADLAMP RH (RED)	1	
2-1	51812-34J00-YHG	HOUSING, HEADLAMP LH (GRAY)	1	
2-2	51812-34J00-YSF	HOUSING, HEADLAMP LH (BLUE)	1	
2-3	51812-34J00-YVB	HOUSING, HEADLAMP LH (BLACK)	1	
2-4	51812-34J00-19A	HOUSING, HEADLAMP LH (RED)	1	
3	94439-28G00-000	SCREW, HEADLAMP HSG	4	
4	48178-31C00-000	CUSHION, HEADLAMP HSG	6	
5	51813-34J00-YKV	HOUSING, HEADLAMP UPPER (BLACK)	1	
6	03541-0416A-000	SCREW	3	
7	51850-34J10-000	BRACE, HEADLAMP HSG	1	
8	01550-0616A-000	BOLT	2	
9	51831-30H00-000	CUSHION, COWLING BRACE	2	
10	51814-34J00-YKV	COVER, METER (BLACK)	1	
11	09409-06L07-000	CLIP	2	
12	51890-34J10-000	PLATE, FRONT LICENSE	1	
13	01550-0630B-000	BOLT	2	
14	68171-23J00-000	EMBLEM, SUZUKI	1	



FIG.460A

FIG.460A (1-E-6) FRONT FENDER

REF NO.	PART NO.	DESCRIPTION	QTY	REMARKS
1-1	53111-34J00-YHG	FENDER, FRONT (GRAY)	1	
1-2	53111-34J00-YSF	FENDER, FRONT (BLUE)	1	
1-3	53111-34J00-YVB	FENDER, FRONT (BLACK)	1	
1-4	53111-34J00-19A	FENDER, FRONT (RED)	1	
2	47161-23J00-000	CUSHION	4	
3	53275-34J00-000	SPACER, FRONT FENDER	4	
4	09160-06060-000	WASHER	4	
5	53113-30H00-000	SCREW, FR FENDER FR	2	
6	01550-0630B-000	BOLT	2	

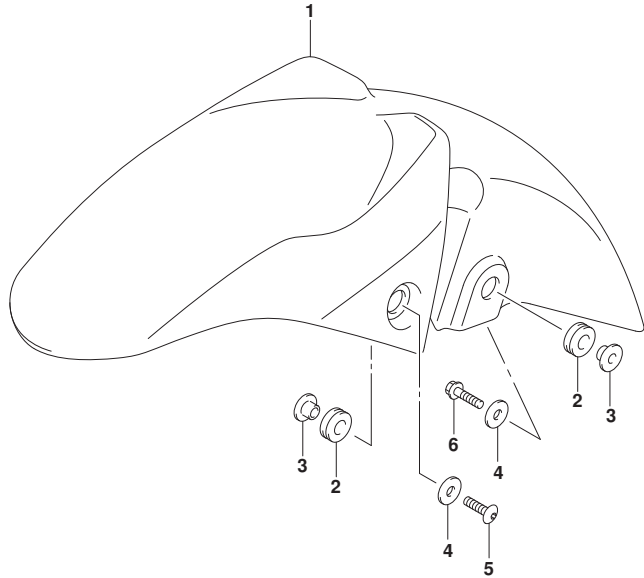


FIG.462A

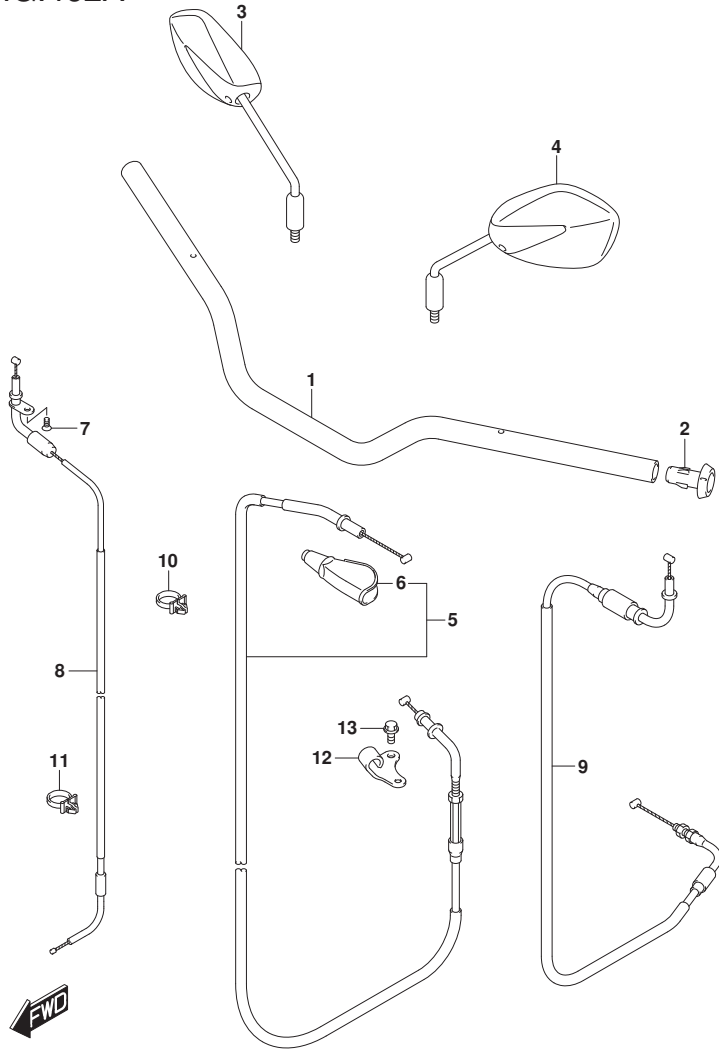


FIG.462A (1-E-7) HANDLEBAR

REF NO.	PART NO.	DESCRIPTION	Q'TY	REMARKS
1	56111-34J21-000	HANDLEBAR	1	
2	56216-34J00-000	CAP, GRIP END	2	
3	56500-34J40-000	MIRROR ASSY, REAR VIEW RH	1	
4	56600-34J40-000	MIRROR ASSY, REAR VIEW LH	1	
5	58200-34J00-000	CABLE ASSY, CLUTCH	1	
6	57315-28G20-000	.COVER, CLUTCH LEVER	1	
7	02112-0510B-000	SCREW	1	
8	58300-34J01-000	CABLE ASSY, THROTTLE	1	
9	58410-34J00-000	CABLE ASSY, STARTER	1	
10	58623-28G10-000	CLAMP, CLUTCH CABLE	2	
11	58624-28G00-000	CLAMP, THROTTLE CABLE	2	
12	58634-34J00-000	STOPPER, CLUTCH CABLE	1	
13	01550-0612A-000	BOLT	1	

FIG.467A

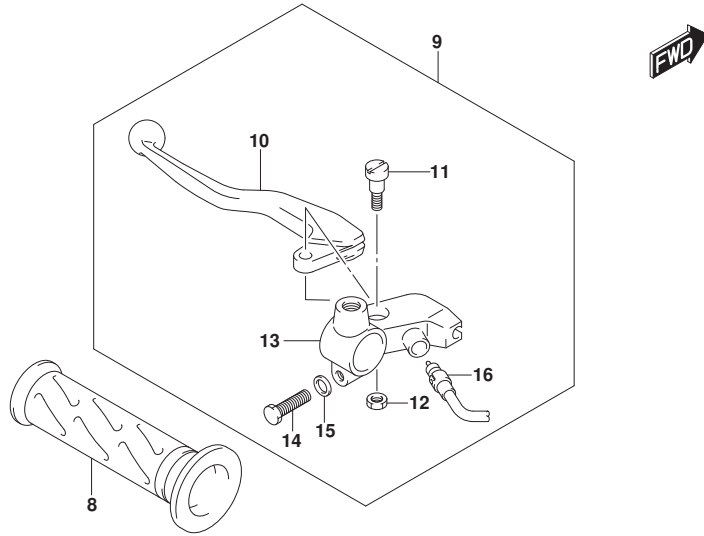


FIG.467A (1-E-8) HANDLE LEVER

REF NO.	PART NO.	DESCRIPTION	Q'TY	REMARKS
1	57110-34J00-000	GRIP, THROTTLE	1	
2	57300-30H21-000	LEVER ASSY, BRAKE	1	
3	57431-30H20-000	.BOLT, BRAKE LEVER PIVOT	1	
4	57421-30H10-000	.LEVER, BRAKE	1	
5	57433-30H10-000	.NUT, BRAKE LEVER PIVOT	1	
6	57460-30H00-000	SWITCH ASSY, STOP	1	
7	57465-30H00-000	.SCREW	1	
8	57211-22D21-291	GRIP, LH (BLACK)	1	
9	57500-28G51-000	LEVER ASSY, CLUTCH	1	
10	57621-28G50-000	.LEVER, CLUTCH	1	
11	57431-28G20-000	.BOLT, CLUTCH LEVER PIVOT	1	
12	57433-28G30-000	.NUT, CLUTCH LEVER PIVOT	1	
13	57511-28G50-000	.HOLDER, CLUTCH LEVER	1	
14	57451-28G20-000	.BOLT, CLUTCH LEVER HOLDER	1	
15	57457-28G20-000	.WASHER, CLUTCH LEVER HOLDER	1	
16	57560-28G50-000	.SWITCH ASSY	1	

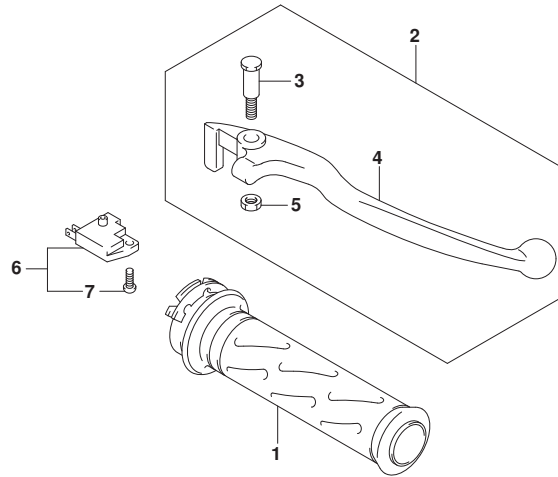


FIG.474A

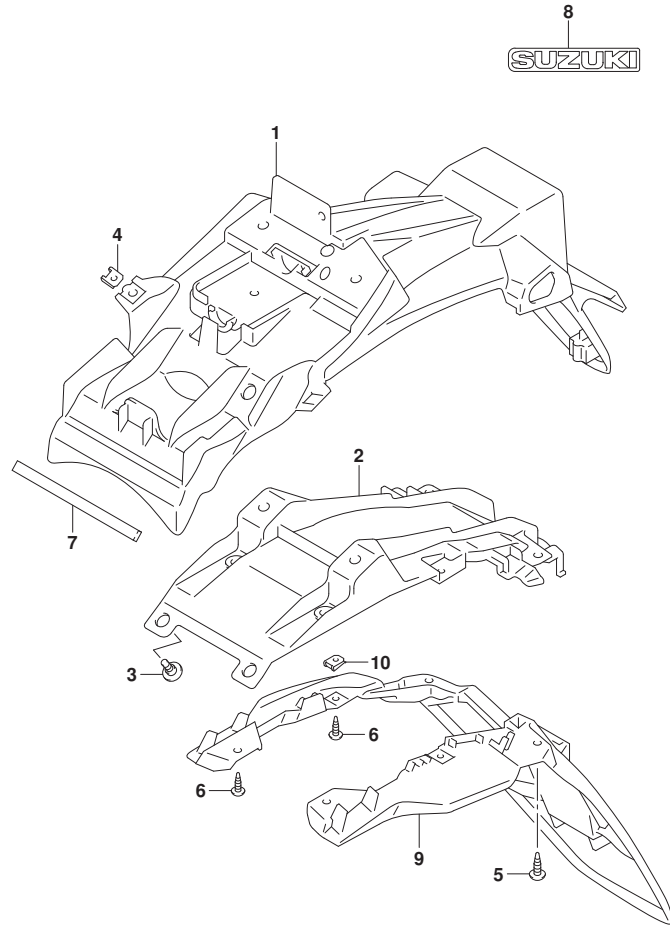


FIG.474A (1-E-9) REAR FENDER

REF NO.	PART NO.	DESCRIPTION	QTY	REMARKS
1	63111-34J00-000	FENDER, REAR	1	
2	63131-34J00-000	BRACKET, REAR FENDER	1	
3	09111-06072-000	BOLT (6X17.8)	4	
4	09148-05060-000	NUT	2	
5	03541-0616A-000	SCREW	6	
6	03541-0516B-000	SCREW	2	
7	63191-34J00-000	CUSHION, REAR FENDER	1	
8	68171-23J00-000	EMBLEM, SUZUKI	1	
9	63311-34J00-000	EXTENSION, REAR FENDER	1	
10	09148-05060-000	NUT	2	

FIG.496A

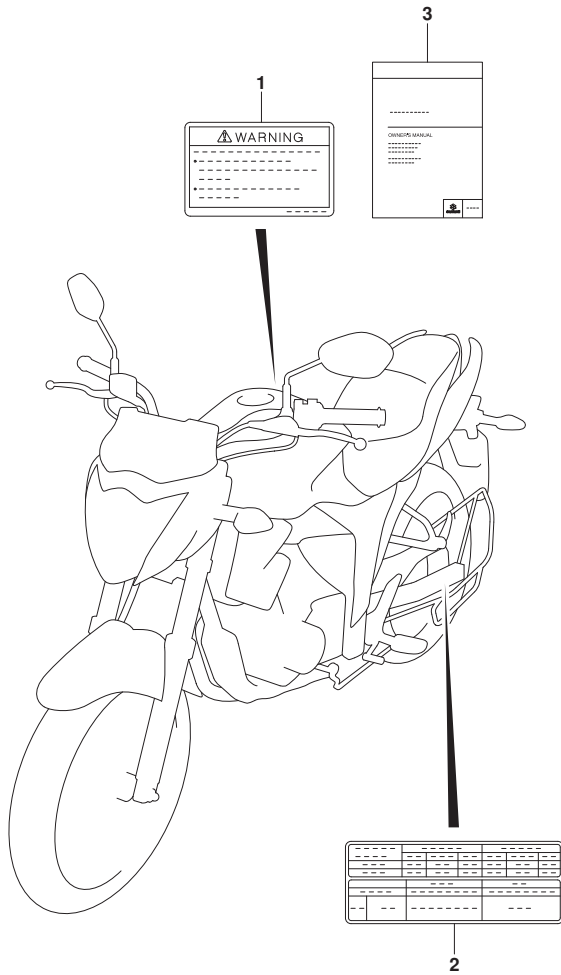


FIG.496A (1-E-10) LABEL

REF NO.	PART NO.	DESCRIPTION	Q'TY	REMARKS
1	68319-39J00-000	LABEL, GENERAL WARNING	1	
2	68332-34JA0-000	LABEL, TIRE INFORMATION	1	
3	99011-34J52-74A	MANUAL, OWNER'S	1	

FIG.505A

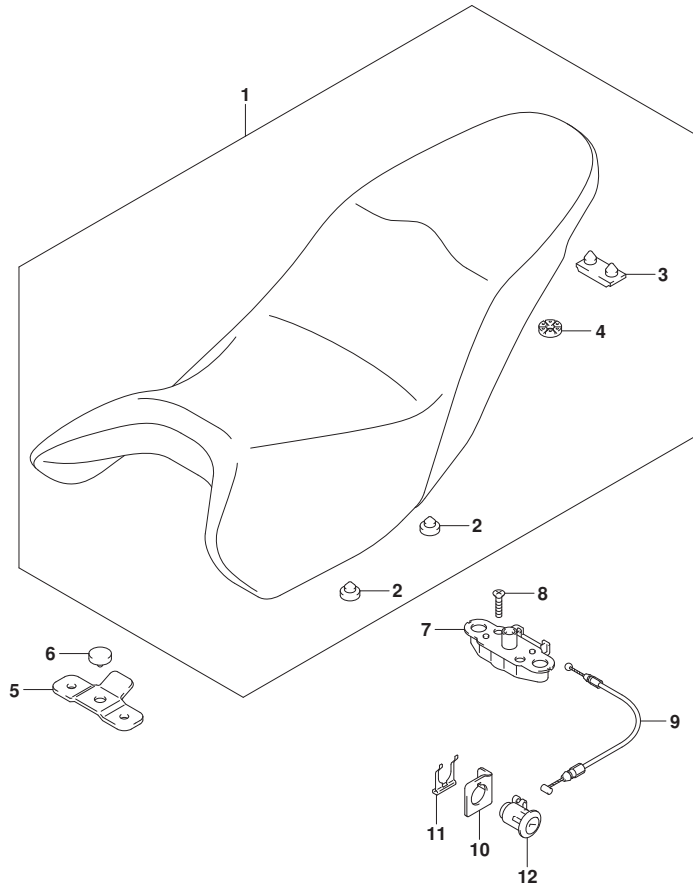


FIG.505A (1-E-11) SEAT

REF NO.	PART NO.	DESCRIPTION	QTY	REMARKS
1	45100-34J20-AW1	SEAT ASSY (BLACK/RED)	1	
2	45148-23J10-000	.CUSHION	6	
3	45149-41H10-000	.CUSHION	1	
4	45213-28G00-000	.CUSHION, SEAT LOCK STRIKER	2	
5	45316-34J00-000	BRACKET, SEAT FRONT	1	
6	45148-23J10-000	CUSHION, SEAT MOUNT	1	
7	45220-28G20-000	BRACKET, SEAT SUPPORT	1	
8	02122-0630A-000	SCREW	2	
9	45280-34J00-000	CABLE SEAT LOCK	1	
10	45288-20G20-000	GUIDE, SEAT LOCK CABLE	1	
11	45289-11F00-000	PLATE, SEAT LOCK ASSY	1	
12	95700-09G80-000	LOCK ASSY, SEAT	1	

FIG.521A

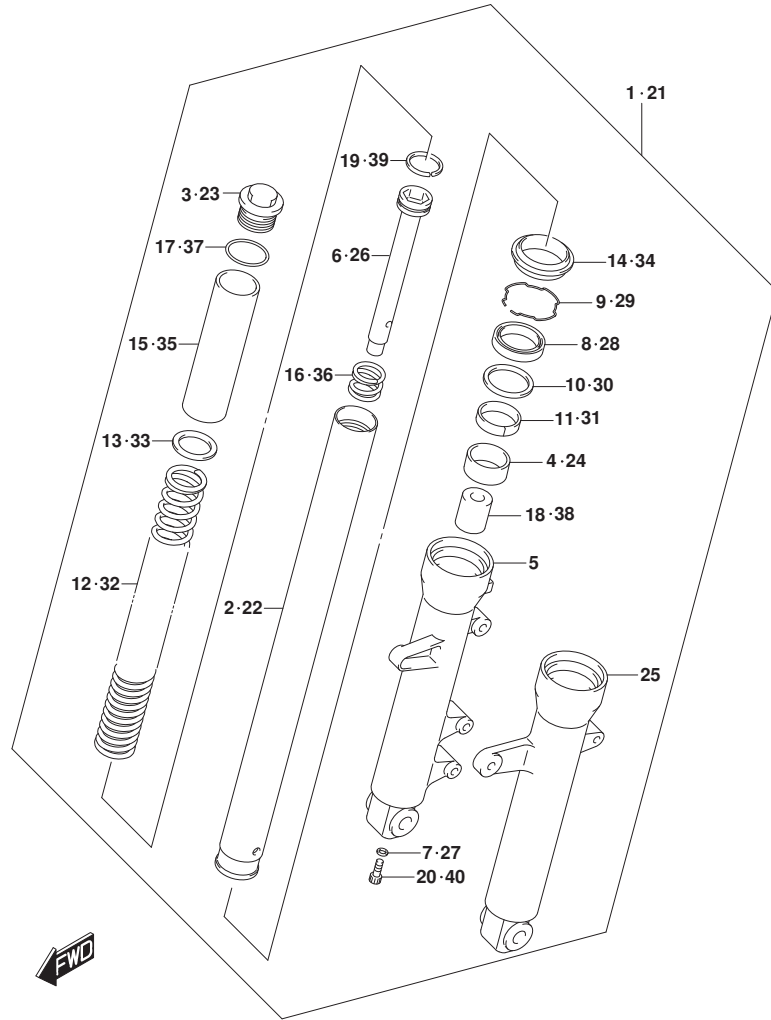


FIG.521A (1-E-13) FRONT FORK DAMPER

REF NO.	PART NO.	DESCRIPTION	Q'TY	REMARKS
21	51104-34J20-000	DAMPER ASSY, FRONT FORK LH	1	
22	51111-34J20-000	.TUBE, INNER	1	
23	51113-34J20-000	.BOLT	1	
24	51121-34J00-000	.BUSH, SLIDE	1	
25	51141-34J00-000	.TUBE, OUTER LH	1	
26	51146-34J20-000	.CYLINDER	1	
27	51148-34J00-000	.GASKET LOWER	1	
28	51153-34J00-000	.SEAL, OIL	1	
29	51156-34J00-000	.RING, SNAP	1	
30	51158-34J00-000	.WASHER	1	
31	51167-34J00-000	.METAL, SLIDE	1	
32	51171-34J00-000	.SPRING, MAIN	1	
33	51172-34J00-000	.WASHER	1	
34	51173-34J00-000	.SEAL, DUST	1	
35	51176-34J20-000	.SPACER, SPRING UPPER	1	
36	51177-34J00-000	.SPRING, REBOUND	1	
37	51181-34J00-000	.GASKET UPPER	1	
38	51195-34J00-000	.PIECE, OIL LOCK	1	
39	51196-34J00-000	.RING, PISTON	1	
40	51451-34J00-000	.BOLT	1	

FIG.524A

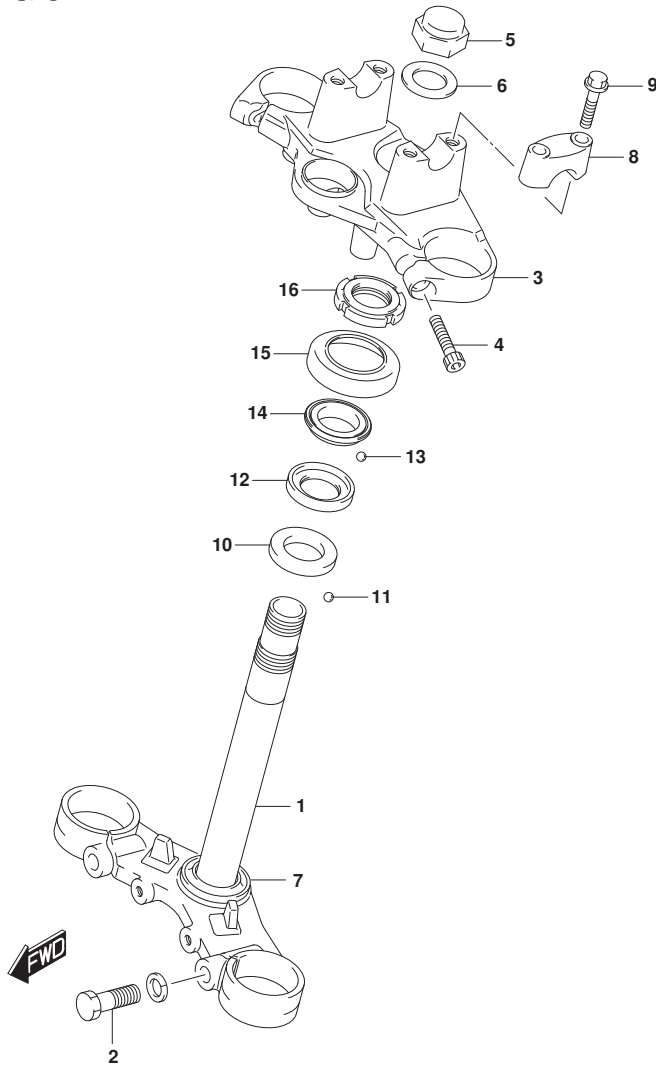


FIG.524A (1-E-14) STEERING STEM

REF NO.	PART NO.	DESCRIPTION	Q'TY	REMARKS
1	51410-34J00-291	BRACKET, UNDER (BLACK)	1	
2	51434-34J00-000	BOLT	2	
3	51311-34J00-019	BRACKET, UPPER (BLACK)	1	
4	51328-34J00-000	BOLT	2	
5	51353-34J00-000	CAP	1	
6	51356-34J00-000	WASHER	1	
7	51621-28G00-000	RACE, STEERING OUTER LOWER	1	
8	56211-34J00-291	HOLDER, HANDLE UPPER (BLACK)	2	
9	51147-34J00-000	BOLT	4	
10	51611-33002-000	RACE, INNER LOWER	1	
11	06111-08004-000	STEEL BALL	18	LOWER
12	51611-20002-000	RACE, INNER UPPER	1	
13	06111-06004-000	STEEL BALL	22	UPPER
14	51621-28000-000	RACE, OUTER UPPER	1	
15	51643-25001-000	DUST SEAL	1	
16	51631-28000-000	NUT, STEERING STEM	1	

FIG.530A

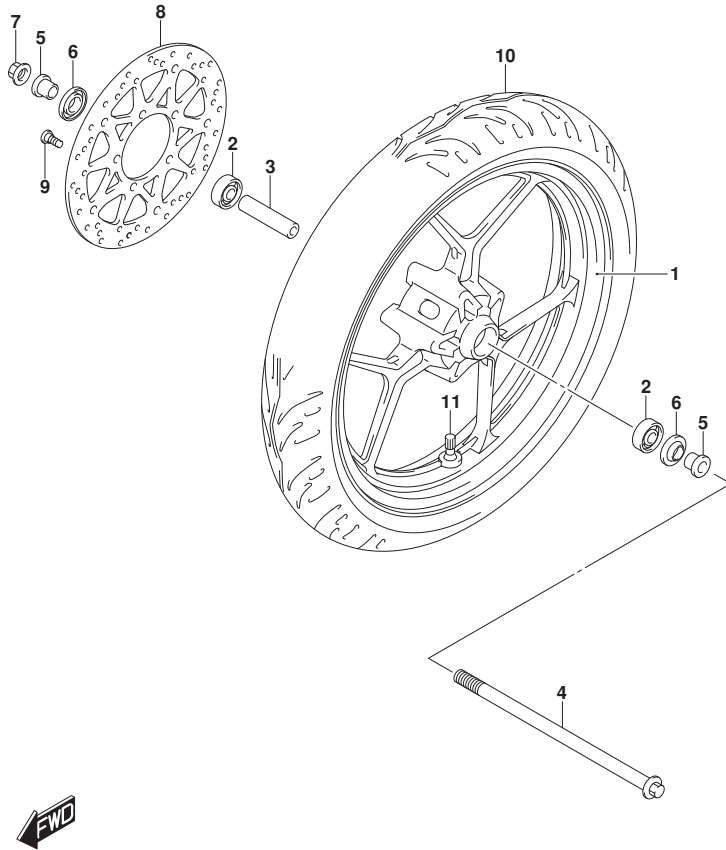


FIG.530A (1-E-15) FRONT WHEEL

REF NO.	PART NO.	DESCRIPTION	Q'TY	REMARKS
1	54111-34J00-QC3	WHEEL, FRONT (17M/CXMT2.50) (BLACK)	1	WITHOUT TAPE
2	08123-63017-000	BEARING	2	
3	54731-34J00-000	SPACER	1	
4	54711-34J00-000	AXLE, FRONT	1	
5	54741-33G00-000	SPACER, FRONT AXLE	2	
6	54841-23J00-000	SEAL, FRONT HUB DUST	2	
7	08319-3112A-000	NUT	1	
8	59211-34J20-000	DISC, FRONT BRAKE	1	
9	59218-34J00-000	BOLT, FRONT BRAKE DISC	5	
10	55110-34J00-000	TIRE, FRONT (100/80-17M/C 52P)	1	MRF
11	43130-24A70-000	VALVE ASSY, WHEEL RIM (TR412)	1	

- 99000F10413CA9X FRONT RIM WITH TAPE (YELLOW) 1
- 99000F10414CBEX FRONT RIM WITH TAPE (BLUE) 1
- 99000F10415CQC3 FRONT RIM WITH TAPE (RED) 1

FIG.535A

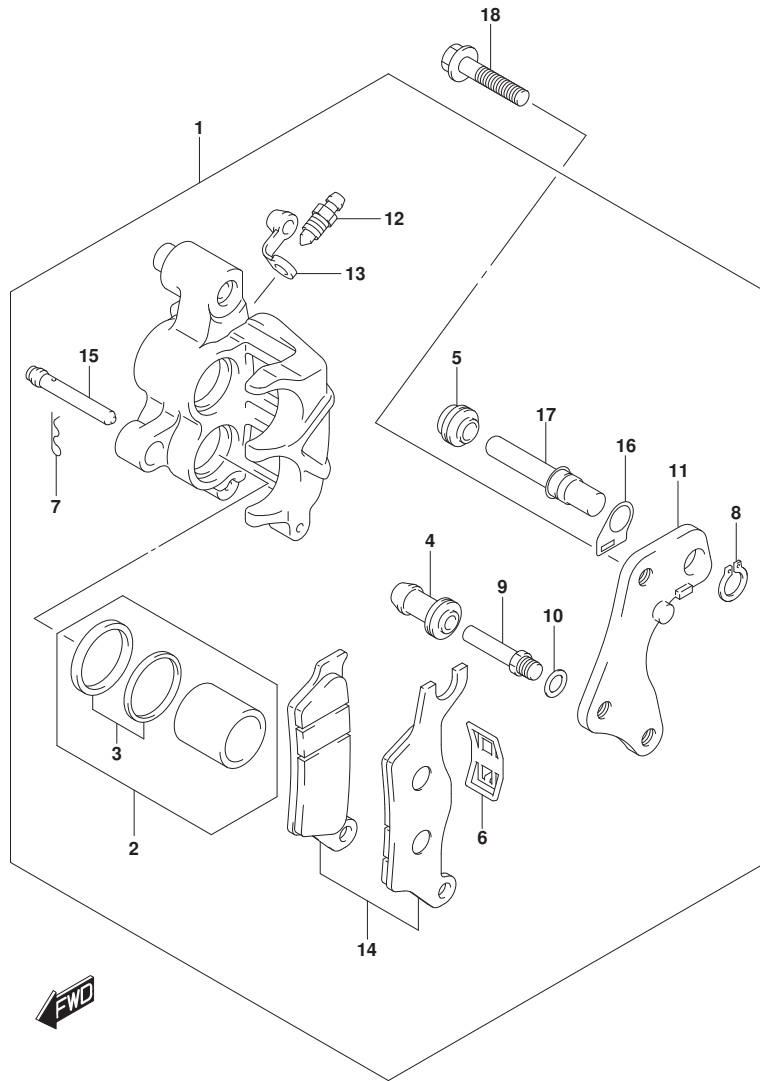


FIG.535A (1-F-2) FRONT CALIPER

REF NO.	PART NO.	DESCRIPTION	Q'TY	REMARKS
1	59100-34J00-000	CALIPER ASSY, FRONT RH	1	
2	59100-34870-000	.PISTON SET	1	
3	59100-34860-000	..SEAL SET, PISTON	1	
4	59109-34J00-000	.INSULATOR	1	
5	59108-34J00-000	.DUST COVER	1	
6	59315-34J00-000	.SPRING, PAD	1	
7	59746-34J00-000	.CLIP	1	
8	59665-34J00-000	.CIRCLIP	1	
9	59187-34J00-000	.PIN	1	
10	59188-34J00-000	.SPACER	1	
11	59351-34J00-000	.BRACKET	1	
12	59121-30H00-000	.SCREW, BLEEDER	1	
13	59122-30H00-000	.CAP, BLEEDER	1	
14	59100-34880-000	.PAD SET	1	
15	59141-34J00-000	.PIN, PAD	1	
16	59145-34J00-000	.STOPPER	1	
17	59382-34J00-000	.PIN	1	
18	01550-0835A-000	BOLT	2	

FIG.536A

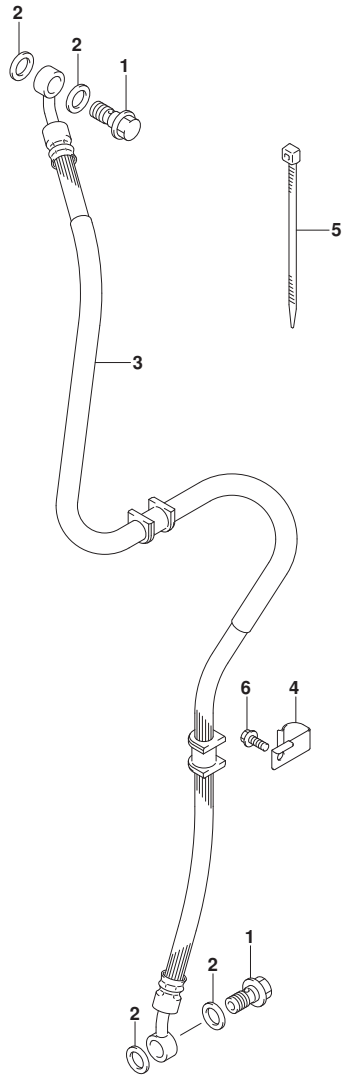


FIG.536A (1-F-3) FRONT BRAKE HOSE

REF NO.	PART NO.	DESCRIPTION	Q'TY	REMARKS
1	59492-30H20-000	BOLT, BRAKE FLUID	2	
2	59502-34J10-000	WASHER, BRAKE FLUID	4	
3	59480-34J30-000	HOSE, FRONT BRAKE	1	
4	59266-34J00-000	CLAMP, FRONT BRAKE HOSE NO.1	1	
5	09407-14407-000	CLAMP (L:145)	1	
6	01550-0612B-000	BOLT	2	

FIG.537A

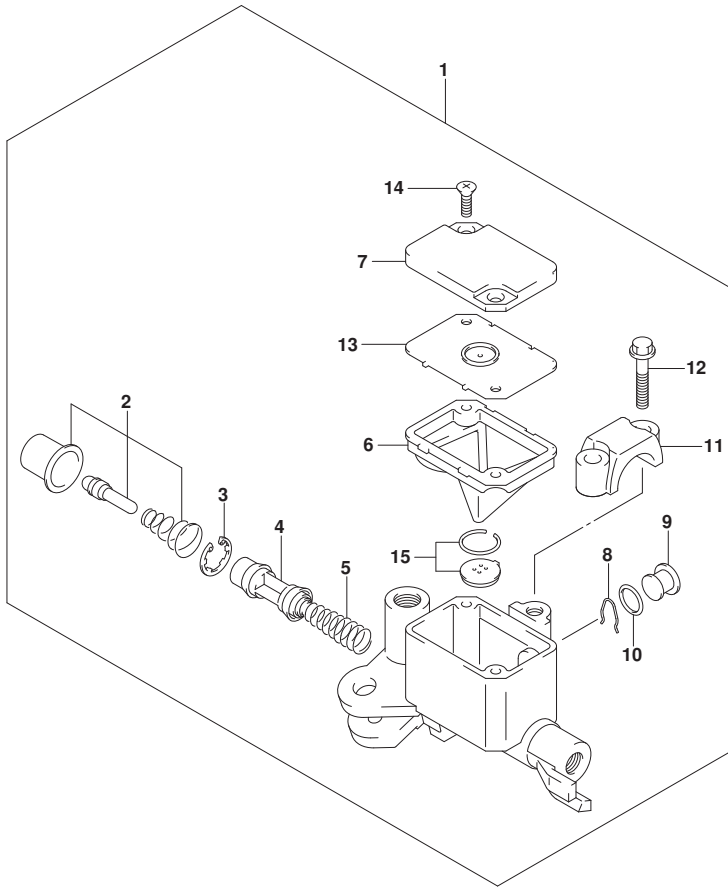


FIG.537A (1-F-4) FRONT MASTER CYLINDER

REF NO.	PART NO.	DESCRIPTION	Q'TY	REMARKS
1	59600-30H30-000	CYLINDER ASSY, FRONT MASTER	1	
2	59870-30H00-000	.ROD ASSY, PUSH	1	
3	59665-30H00-000	.CIRCLIP	1	
4	59610-30H00-000	.PISTON ASSY	1	
5	57318-30H00-000	.SPRING	1	
6	59667-30H00-000	.DIAPHRAGM	1	
7	59687-30H20-000	.COVER	1	
8	59745-30H00-000	.CLIP	1	
9	59743-30H00-000	.WINDOW	1	
10	59744-30H00-000	.O RING	1	
11	59671-30H00-000	.CLAMP	1	
12	59688-30H00-000	.SCREW	2	
13	59668-30H00-000	.PLATE, DIAPHRAGM	1	
14	59691-30H00-000	.FLAT SCREW	2	
15	59669-30H00-000	.CAP	1	

FIG.541A

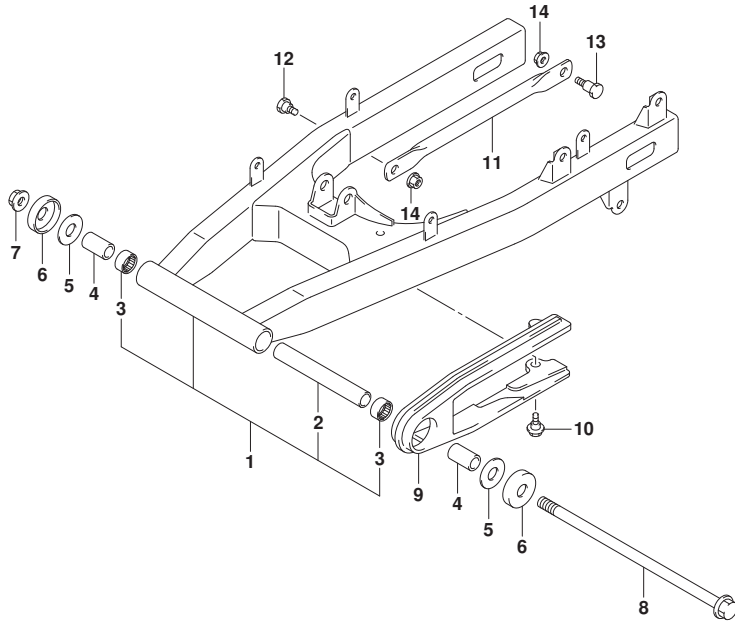


FIG.541A (1-F-5) REAR SWINGARM

REF NO.	PART NO.	DESCRIPTION	Q'TY	REMARKS
1	61000-34J40-000	SWINGINGARM ASSY, REAR	1	
2	61280-34J00-000	.SPACER, RR SWGARM PIVOT	1	
3	09263-17051-000	.BEARING (17X24X20)	2	
4	61251-34J00-000	SPACER, ARM PIVOT	2	
5	09181-12010-000	SHIM (12.5X27.8X0.8)	2	
6	61262-34J00-000	COVER, ARM PIVOT	2	
7	08319-3112A-000	NUT	1	
8	61211-23J00-000	SHAFT, PIVOT	1	
9	61273-34J00-000	BUFFER, CHAIN TOUCH DEFENSE	1	
10	09111-06072-000	BOLT (6X17.8)	1	
11	64311-34J00-000	TORQUE LINK, REAR	1	
12	09111-08064-000	BOLT (8X21)	1	FRONT
13	09111-08067-000	BOLT (8X24)	1	REAR
14	08319-3108A-000	NUT	2	



FIG.542A

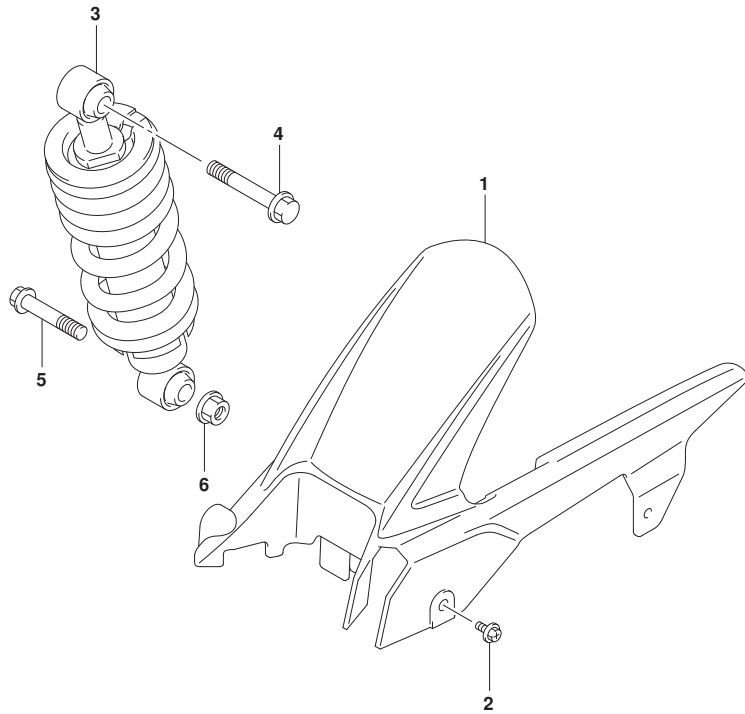


FIG.542A (1-F-6) CHAIN CASE

REF NO.	PART NO.	DESCRIPTION	Q'TY	REMARKS
1	61311-34J00-000	CASE, CHAIN	1	
2	09111-06107-000	BOLT (6X12)	4	
3	62100-34J10-YKS	ABSORBER ASSY, REAR SHOCK (RED)	1	
4	62658-47H00-000	BOLT, RR SHOCK ABSORBER	1	UPPER
5	62668-30B00-000	BOLT, RR SHOCK ABSORBER	1	LOWER
6	09159-12056-000	NUT	1	LOWER



FIG.550A

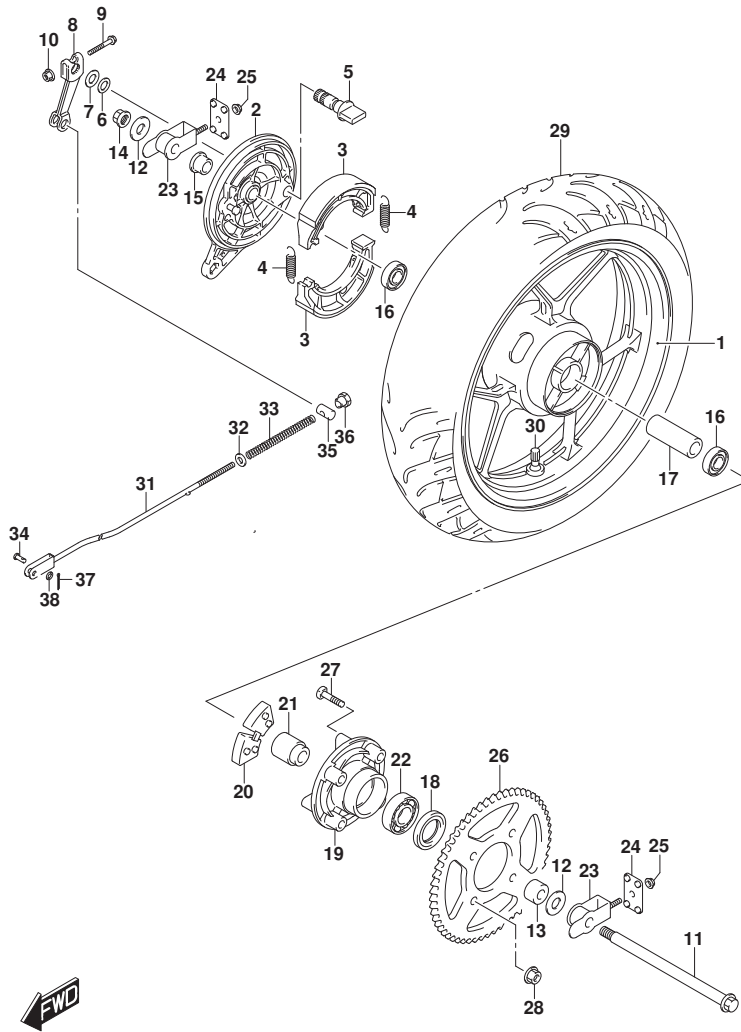


FIG.550A (1-F-7) REAR WHEEL

REF NO.	PART NO.	DESCRIPTION	Q'TY	REMARKS
1	64150-34J00-QC3	WHEEL, REAR (17M/CXMT3.50) (BLACK)	1	WITHOUT TAPE
2	64210-28G00-291	PANEL, REAR BRAKE ANCHOR (BLACK)	1	
3	54410-28G30-000	SHOE, REAR BRAKE	2	
4	54424-28G00-000	SPRING	2	
5	64441-05J00-000	CAM, BRAKE	1	
6	54443-28G00-000	O RING	1	
7	09160-14055-000	WASHER (14.5X22X1.6)	1	
8	64451-30H00-000	LEVER, BRAKE CAM	1	
9	01550-0635A-000	BOLT	1	
10	08316-1006A-000	NUT	1	
11	64711-34J00-000	AXLE, REAR	1	
12	61445-34J00-000	WASHER, REAR AXLE	2	
13	64751-34J00-000	SPACER, LH	1	
14	64721-30H00-000	NUT	1	
15	64741-34J10-000	SPACER, RH	1	
16	08123-63027-000	BEARING	2	
17	64731-34J00-000	SPACER, REAR WHEEL BEARING	1	
18	64831-43J00-000	SEAL, RR SPROCKET MTG DRUM	1	
19	64611-35J00-000	DRUM, SPROCKET MOUNTING	1	
20	64651-35J00-000	ABSORBER, REAR HUB SHOCK	4	
21	64761-34J00-000	RETAINER, DRUM	1	
22	08123-60057-000	BEARING	1	
23	61410-34J00-000	ADJUSTER, CHAIN	2	
24	61421-30H00-000	PLATE, CHAIN ADJUSTER GUIDE	2	
25	08319-3106A-000	NUT	2	
26	64511-34J20-000	SPROCKET, REAR (NT:45)	1	
27	09105-08011-000	BOLT (8X36)	4	
28	08319-3108A-000	NUT	4	
29	65110-34J00-000	TIRE, REAR (140/60R17M/C 63P)	1	MRF
30	43130-24A70-000	VALVE ASSY, WHEEL RIM (TR412)	1	

FIG.550A

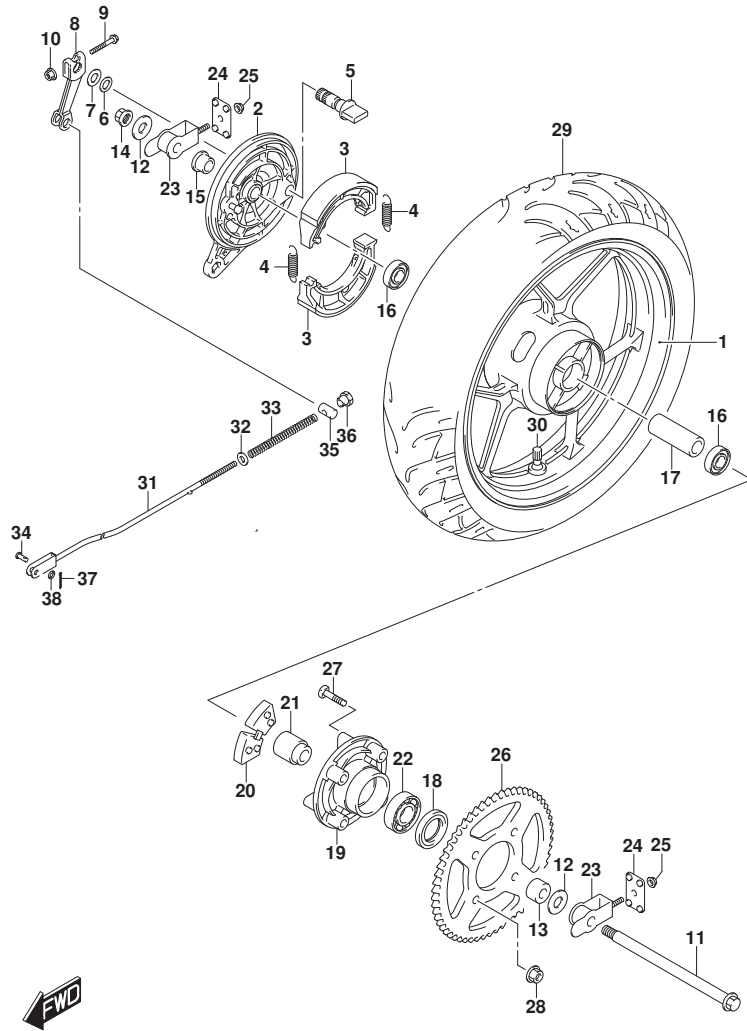


FIG.550A (1-F-8) REAR WHEEL

REF NO.	PART NO.	DESCRIPTION	Q'TY	REMARKS
31	43310-34J00-000	ROD, REAR BRAKE	1	
32	08322-0106B-000	WASHER	1	
33	09440-09004-000	SPRING	1	
34	09200-06013-000	PIN (10X16)	1	
35	09209-11002-000	PIN (11X18)	1	
36	09150-06010-000	NUT	1	
37	04111-2015A-000	COTTER PIN	1	
38	08322-0106B-000	WASHER	1	
	99000F10416CA9X	REAR RIM WITH TAPE (YELLOW)	1	
	99000F10417CBEX	REAR RIM WITH TAPE (BLUE)	1	
	99000F10418CQC3	REAR RIM WITH TAPE (RED)	1	

FIG.970A

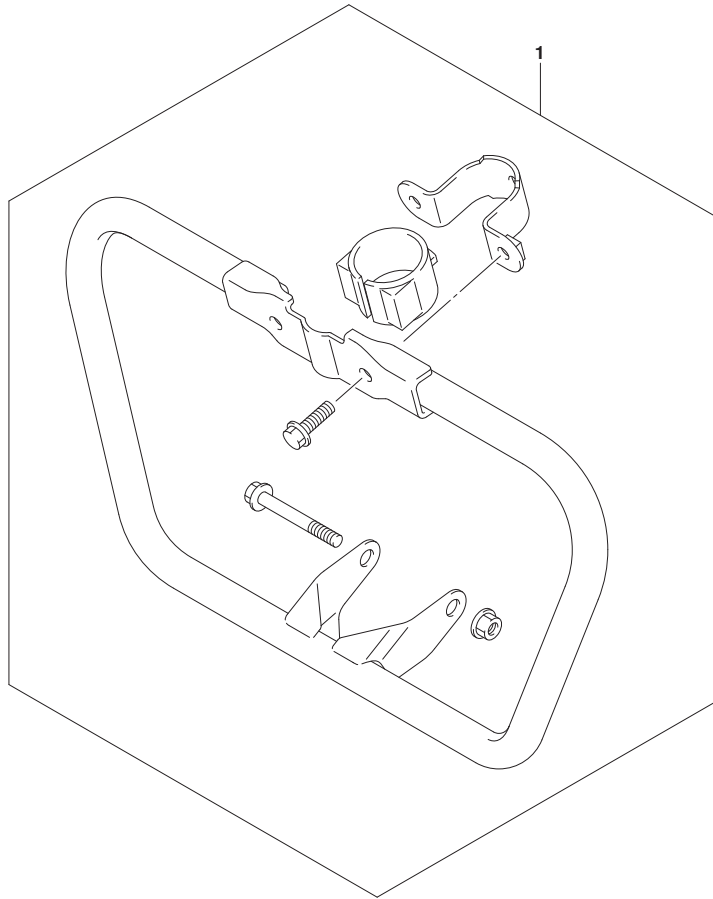


FIG.970A (1-F-9) OPTIONAL (BUMPER SET)

REF NO.	PART NO.	DESCRIPTION	Q'TY	REMARKS
1	94200-34820-000	BUMPER SET, FRONT	1	

962A

962A (F-9) BUMPER SET (OPTIONAL)

REF NO.	PART NO.	DESCRIPTION	QTY	REMARKS
1	94200-34820-000	BUMPER SET, FRONT	1	@OPT Only Child parts are Serviceable
1-1	99021-34J00-000	OPTION, MANUAL	1	
1-2	41999-05J10-000	BOLT, ENGINE MOUNTING LWR	1	
1-3	94210-34J00-000	BUMPER COMP, FRONT	1	
1-4	94220-34J00-000	BRACKET COMP, FRONT BUMPER	1	
1-5	94231-34J00-000	CUSHION, FRONT BUMPER	1	
1-6	01550-0816B-000	BOLT	2	
1-7	08319-3108B-000	NUT	1	

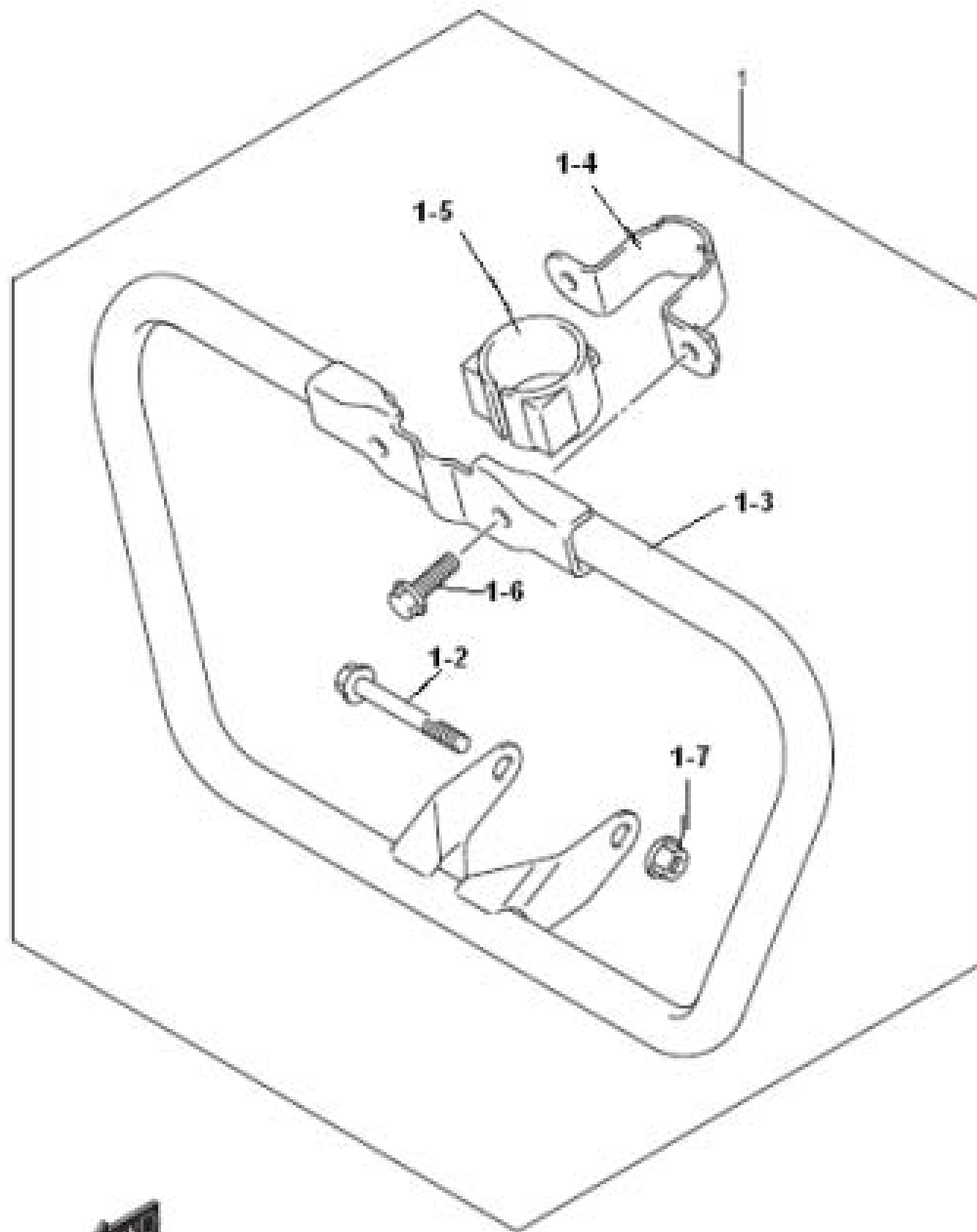


FIG.970B

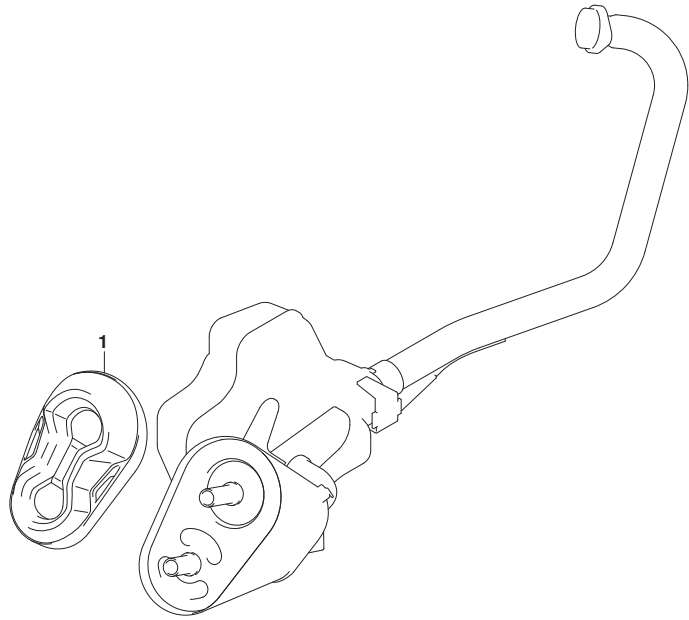


FIG.970B (1-F-10) OPTIONAL (MUFFLER COVER)

REF NO.	PART NO.	DESCRIPTION	Q'TY	REMARKS
1	14700-34810-000	COVER, MUFFLER RR	1	

PARTS NUMBER INDEX

PART NO.	FIG.NO.-REF.NO.	PART NO.	FIG.NO.-REF.NO.	PART NO.	FIG.NO.-REF.NO.	
10000		12871-34J00-000	126A-15	13681-04010-000	130A-39	
		12911-34J00-000	126A-18	13684-34J00-000	130A-40	
		12912-34J00-000	126A-19	13692-34J00-000	130A-41	
		12921-34J00-000	126A-20	13692-34J10-000	130A-42	
		12931-09G20-000	126A-21-1	13696-34J00-000	130A-43	
	11100-34J00-000	103A-1	12931-33G00-000	126A-21-2	13697-34J00-000	130A-44
	11141-34J00-000	103A-8	12932-09G10-000	126A-22	13700-34J00-000	155A-1
	11171-34J00-000	102A-1	12933-09G00-000	126A-23	13725-34J00-000	155A-2
	11173-34J00-000	102A-2	12951-34J00-000	126A-8	13740-34J00-000	155A-3
	11191-27E30-000	102A-4	13110-34J00-000	103A-11	13746-34J00-000	155A-4
	11210-34J00-0F0	107A-1	13121-34J00-000	103A-12		155A-7
	11241-34J00-000	107A-2	13170-12F50-000	103A-15	13761-34J00-000	155A-5
	11300-34J00-000	108A-1	13200-34J00-000	130A-1	13780-34J00-000	155A-6
	11340-34J00-000	112A-1	13240-34J00-000	130A-2	13841-34J00-000	155A-17
	11351-34J00-000	112A-12	13254-34J00-000	130A-3	13850-34J00-000	155A-8
	11352-34J00-000	112A-19	13257-34J00-000	130A-4	13878-10G00-000	155A-10
	11360-34J00-000	112A-21	13268-47070-000	130A-5	13881-34J00-000	155A-11
	11482-34J00-000	112A-3	13271-34J00-000	130A-6	13891-34J00-000	155A-12
11483-34J00-000	112A-13	13273-34J00-000	130A-7	14181-14D10-000	163A-2	
11971-30H00-000	112A-8	13274-34J00-000	130A-8	14310-34J10-000	163A-1	
11971-45010-000	112A-2	13278-02340-000	130A-9	14700-34810-000	970B-1	
12100-34J01-050	120A-19	13278-47090-000	130A-10	14780-34J00-000	163A-4	
12111-34J01-0F0	120A-15	13283-34J00-000	130A-11	14790-34J01-000	163A-16	
12140-34J01-000	120A-16	13291-29900-000	130A-12	14795-10FA0-000	163A-9	
12151-34J00-000	120A-17	13295-29900-000	130A-13		163A-18	
12200-34J00-0A0	120A-1	13295-34J00-000	130A-14	16321-34J00-000	120A-7	
12600-34830-000	122A-4	13341-34J00-000	130A-15	16331-34J00-000	170A-2	
12611-34J00-000	122A-1	13342-34J00-000	130A-16	16400-34J00-000	170A-1	
12651-34J00-000	124A-1	13345-34J00-000	130A-17	16510-33G00-000	170A-9-1	
12661-34J00-0A0	120A-2	13353-34J00-000	130A-18	16510-33G10-000	170A-9-2	
12662-34J00-000	124A-4	13370-34J00-000	130A-19	16512-34J00-000	170A-11	
12662-34J10-000	124A-5	13375-34J00-000	130A-20	16519-09J10-000	170A-13	
12663-47E50-000	124A-2	13383-34J00-000	130A-21	16520-09440-000	170A-8	
12666-34J00-0A0	124A-3	13387-47010-000	130A-22	18410-34J00-000	189A-1	
12668-34J00-000	124A-9	13394-40D20-000	130A-23	18441-45C01-000	189A-2	
12669-34J00-000	124A-6	13411-34J00-000	130A-24	18450-34G60-000	189A-4	
12686-34J00-000	124A-7	13418-34J00-000	130A-25	18461-34J10-000	189A-8	
12710-34J00-000	126A-1	13471-34J00-000	130A-26	18610-34J00-000	189A-6	
12714-34J00-000	126A-5	13500-34810-000	130A-27	18711-34J00-000	189A-10	
12740-34J00-000	126A-4	13502-34J00-000	130A-28			
12749-34J00-000	126A-7	13503-34J00-000	130A-29			
12760-12F50-000	127A-1	13504-34J00-000	130A-30			
12771-34J00-000	127A-2	13505-34J00-000	130A-31			
12811-34J00-000	127A-3	13506-34J00-000	130A-32			
12830-39J00-000	127A-6	13580-34J00-000	130A-33			
12837-33G00-000	127A-7	13584-34J00-000	130A-34	21111-34J00-000	120A-8	
12840-34J10-000	126A-11	13585-34J00-000	130A-35	21112-34J00-000	120A-9	
12842-34J00-000	126A-12	13601-34J00-000	130A-36	21114-34J00-000	120A-10	
12843-27A70-000	126A-13	13602-34J00-000	130A-37	21116-34J00-000	120A-14	
12861-34J00-000	126A-14	13623-34J00-000	130A-38	21143-34J00-000	120A-12	

PART NO.	FIG.NO.-REF.NO.	PART NO.	FIG.NO.-REF.NO.	PART NO.	FIG.NO.-REF.NO.
				201A-6	25617-30H10-000
21200-34J01-000	201A-1	25652-05J00-000	212A-28	201A-2	25657-28G00-000
21251-30H00-000	201A-2	26211-34J00-000	240A-1	201A-4	26212-34J00-000
21411-34J00-000	201A-4	26221-34J00-000	240A-2	201A-13	26221-34J00-000
21412-30H00-000	201A-13	26231-34J00-000	240A-7	201A-5	26231-34J00-000
21414-30H00-000	201A-5	26232-09401-000	240A-8	201A-9	26232-09401-000
21441-30H40-000	201A-9	26233-09400-000	240A-9	201A-10	26233-09400-000
21451-28030-000	201A-10	26241-34J10-000	240A-11	201A-11	26241-34J10-000
21462-34J00-000	201A-11	26261-34J00-000	206A-37	201A-14	26261-34J00-000
23165-28G60-000	201A-14	26300-34J00-000	206A-37	201A-17-1	26300-34J00-000
23261-13A10-000	201A-17-1	26314-30H00-000	240A-16	201A-17-2	26314-30H00-000
23261-13A30-000	201A-17-2	27511-30H20-000	206A-32	201A-20	27511-30H20-000
23271-30H00-000	201A-20	27512-05310-000	206A-33	206A-1	27512-05310-000
24120-34J00-000	206A-1	27600-30H40-132	206A-34	206A-14	27600-30H40-132
24130-34J00-000	206A-14	27620-30H40-000	206A-35	206A-13-1	27620-30H40-000
24132-34J10-000	206A-13-1			206A-13-2	
24132-34J20-000	206A-13-2			206A-3	
24221-34J00-000	206A-2			206A-4	
24231-34J10-000	206A-3			206A-6	
24241-34J10-000	206A-4			206A-6	
24251-34J10-000	206A-6			206A-15	
24311-34J00-000	206A-15			206A-38	
24312-26H10-000	206A-38			206A-16	
24312-34J00-000	206A-16			206A-17	
24321-34J00-000	206A-17			206A-18	
24322-34J00-000	206A-18	31100-34J00-000	301A-1	206A-19	
24331-34J10-000	206A-19	31130-34J00-000	301A-2	206A-20	
24341-34J00-000	206A-20	31132-34J00-000	301A-3	206A-21	
24351-34J10-000	206A-21	31143-34J00-000	301A-4	206A-11	
24741-20A10-000	206A-11	31150-34J00-000	301A-5	212A-7	
		31156-34J00-000	301A-6	206A-30	24751-34J00-000
		31170-34J00-000	301A-7	212A-1	25211-34J10-000
		31172-34J00-000	301A-8	212A-2	25231-34J10-000
		31183-34J00-000	301A-9	212A-5	25311-34J00-000
		31264-34J00-000	301A-10	212A-9	25350-34J10-000
		31280-34J00-000	301A-11	212A-12	25355-34J10-000
		31800-34J00-000	312A-1	212A-10	25357-34J00-000
		32101-34J00-000	303A-1	212A-13	25381-34J00-000
		32102-34J00-000	303A-2	212A-3	25411-34J00-000
		32371-16H00-000	303A-3	212A-4	25421-34J00-000
		32800-34J00-000	312A-3	212A-16	25510-34J00-000
		32900-34J00-000	312A-8	212A-26	25512-28G10-000
		33410-34J00-000	312A-10	212A-20	25515-34J00-000
		33610-39J10-000	310A-1-2	212A-18	25518-34J00-000
		33541-30H00-000	312A-13	212A-21	25520-34J10-000
		33542-30H00-000	312A-14	212A-25	25525-34J00-000
		33610-39J00-000	310A-1-1	212A-27	25600-34J00-000
		33610-39J10-000	310A-5	212A-22	25616-28G00-000
		33651-34J00-000	310A-2	212A-37	25617-03F20-000
		33652-29100-000	310A-2		
		33652-34J00-000	310A-3		
		33652-34J10-000	310A-4		
		33820-34J20-000	350A-5		
		34100-34J00-000	330A-1		
		34111-34J00-000	330A-5		
		34120-34J00-000	330A-2		
		34124-34J00-000	330A-3		
		34150-34J00-000	330A-4		
		34189-30H30-000	330A-7		
		34189-34J00-000	330A-8		
		34383-10B00-000	330A-6		
		34810-34J00-000	421A-6		
		34825-28G00-000	421A-7		
		34981-25G00-000	330A-11		
		34990-30H00-000	330A-12-1		
		34990-34J00-000	330A-12-2		
		35100-34J20-000	333A-1		
		35157-34J00-000	333A-5		
		35159-34J00-000	333A-6		
		35174-34J00-000	333A-7		
		35181-04J2B-000	333A-8		
		35183-34J00-000	333A-9		
		35186-25J00-000	333A-10		
		35601-34J10-000	334A-1		
		35602-34J10-000	334A-7		
		35603-34J10-000	334A-14		
		35604-34J10-000	334A-20		
		35613-34J00-000	334A-2		
			334A-8		
			334A-15		
			334A-21		
		35614-34J10-000	334A-3		
			334A-22		
			334A-4		
		35623-34J10-000	334A-10		
			334A-17		
			334A-23		
		35623-34J20-000	334A-6		
			334A-12		
			334A-19		
			334A-25		
		35629-34J00-000	334A-13		
			334A-26		
		35634-34J10-000	334A-9		
			334A-16		
		35710-34J01-000	339A-1		
		35716-34J00-000	339A-2		
		35910-16G71-000	339		

PART NO.	FIG.NO.-REF.NO.	PART NO.	FIG.NO.-REF.NO.	PART NO.	FIG.NO.-REF.NO.
35917-30H00-000	339A-8	43581-34J00-000	415A-4	46211-34J00-YHG	410A-2-1
35926-30H00-000	339A-9	43611-37H00-000	415A-12	46211-34J00-YVB	410A-2-2
35970-28G00-000	339A-15	43621-37H00-000	415A-13	46231-34J00-19A	410A-1-3
36610-34J40-000	350A-1	43680-48H10-000	415A-18	46231-34J00-YHG	410A-1-1
36618-12345-000	333A-2	44100-34J10-000	420A-1	46231-34J00-YVB	410A-1-2
36990-70F20-000	350A-2	44191-34J00-19A	423A-3-4	47111-34J00-000	446A-1
37000-34850-000	352A-1	44191-34J00-YHG	423A-3-1	47121-34J00-19A	424A-1-4
37100-34J50-000	352A-2	44191-34J00-YSF	423A-3-2	47121-34J00-YHG	424A-1-1
37146-34J20-000	352A-4	44191-34J00-YVB	423A-3-3	47121-34J00-YSF	424A-1-2
37152-30H00-000	352A-3	44192-34J00-19A	423A-1-4	47121-34J00-YVB	424A-1-3
37200-34J00-000	355A-1	44192-34J00-YHG	423A-1-1	47131-34J00-000	424A-2
37400-34J00-000	355A-3	44192-34J00-YSF	423A-1-2	47155-30H00-000	339A-3
37720-34J00-000	212A-31	44192-34J00-YVB	423A-1-3	47161-23J00-000	446A-10
37740-34J10-000	350A-6	44193-34J00-19A	423A-2-4		460A-2
38502-28G13-000	350A-8	44193-34J00-YHG	423A-2-1	47162-30H00-000	445A-4
38610-23J10-000	334A-27	44193-34J00-YSF	423A-2-2		446A-6
		44193-34J00-YVB	423A-2-3	47180-34J00-000	424A-6
		44200-34J10-000	420A-2	47190-34J00-000	445A-8
		44211-34J01-000	423A-6	47211-34J00-000	446A-3
		44271-34J01-000	423A-7	47221-34J00-19A	424A-3-4
		44281-34J00-000	423A-8	47221-34J00-YHG	424A-3-1
		44282-34J01-000	423A-9	47221-34J00-YSF	424A-3-2
		44284-34J00-000	423A-11	47221-34J00-YVB	424A-3-3
		44285-34J00-000	423A-12	47231-34J00-000	424A-4
		44295-34J00-000	423A-10	47349-34J00-000	423A-5
		44300-05J10-000	421A-1	47421-34J00-YMC	446A-2
		44366-23J00-000	421A-3	47435-34J00-000	401A-15
		44933-34J00-000	401A-5	47521-34J00-YMC	446A-4
		41990-34J00-000	401A-4	44423-34J01-000	420A-11
		41991-34J00-000	401A-2	44511-34J10-000	420A-8
		42100-34J20-000	407A-1	44512-34J10-000	420A-6
		42241-34J00-000	407A-4	44513-34J00-000	423A-4
		42242-34J00-000	407A-5	44514-34J00-000	420A-7
		42272-09J00-000	407A-15	44515-34J10-000	420A-4
		42278-34J00-000	407A-6	44520-34J20-000	420A-3
		42310-34J20-000	407A-7	44541-34J10-000	420A-14
		42411-33G10-000	407A-8	44542-34J10-000	420A-10
		43110-34J10-000	407A-11	44543-34J10-000	423A-16
		43130-24A70-000	530A-11	44549-34J00-000	420A-15
			550A-30	45100-34J20-AW1	505A-1
		43211-23J00-000	407A-12	45148-23J10-000	505A-2
		43232-34J00-000	350A-7		505A-6
		43310-34J00-000	550A-31	45149-41H10-000	505A-3
		43510-34J11-000	415A-1	45213-28G00-000	505A-4
		43521-34J00-000	415A-2	45220-28G20-000	505A-7
		43529-34J00-000	415A-8	45280-34J00-000	505A-9
		43529-34J10-000	415A-14	45288-20G20-000	505A-10
		43532-34J00-000	415A-7	45289-11F00-000	505A-11
		43550-44G30-000	415A-5	45316-34J00-000	505A-5
		43571-34J00-000	415A-3	46211-34J00-19A	410A-2-3

40000

50000

PART NO.	FIG.NO.-REF.NO.	PART NO.	FIG.NO.-REF.NO.	PART NO.	FIG.NO.-REF.NO.
51103-34J20-000	521A-1	51621-28G00-000	524A-7	57465-30H00-000	467A-7
51104-34J20-000	521A-21	51631-28000-000	524A-16	57500-28G51-000	467A-9
51111-34J20-000	521A-2	51643-25001-000	524A-15	57511-28G50-000	467A-13
	521A-22	51811-34J00-19A	451A-1-4	57560-28G50-000	467A-16
51113-34J20-000	521A-3	51811-34J00-YHG	451A-1-1	57621-28G50-000	467A-10
	521A-23	51811-34J00-YSF	451A-1-2	58200-34J00-000	462A-5
51121-34J00-000	521A-4	51811-34J00-YVB	451A-1-3	58300-34J01-000	462A-8
	521A-24	51812-34J00-19A	451A-2-4	58410-34J00-000	462A-9
51131-34J00-000	521A-5	51812-34J00-YHG	451A-2-1	58623-28G10-000	462A-10
51141-34J00-000	521A-25	51812-34J00-YSF	451A-2-2	58624-28G00-000	462A-11
51146-34J20-000	521A-6	51812-34J00-YVB	451A-2-3	58634-34J00-000	462A-12
	521A-26	51813-34J00-YKV	451A-5	59100-34860-000	535A-3
51147-34J00-000	524A-9	51814-34J00-YKV	451A-10	59100-34870-000	535A-2
51148-34J00-000	521A-7	51831-30H00-000	333A-11	59100-34880-000	535A-14
	521A-27		451A-9	59100-34J00-000	535A-1
51153-34J00-000	521A-8	51850-34J10-000	451A-7	59108-34J00-000	535A-5
	521A-28	51890-34J10-000	451A-12	59109-34J00-000	535A-4
51156-34J00-000	521A-9	53111-34J00-19A	460A-1-4	59121-30H00-000	535A-12
	521A-29	53111-34J00-YHG	460A-1-1	59122-30H00-000	535A-13
51158-34J00-000	521A-10	53111-34J00-YSF	460A-1-2	59141-34J00-000	535A-15
	521A-30	53111-34J00-YVB	460A-1-3	59145-34J00-000	535A-16
51167-34J00-000	521A-11	53113-30H00-000	460A-5	59187-34J00-000	535A-9
	521A-31	53275-34J00-000	460A-3	59188-34J00-000	535A-10
51171-34J00-000	521A-12	54111-34J00-QC3	530A-1	59211-34J20-000	530A-8
	521A-32	54410-28G30-000	550A-3	59218-34J00-000	530A-9
51172-34J00-000	521A-13	54424-28G00-000	550A-4	59266-34J00-000	536A-4
	521A-33	54443-28G00-000	550A-6	59315-34J00-000	535A-6
51173-34J00-000	521A-14	54711-34J00-000	530A-4	59351-34J00-000	535A-11
	521A-34	54731-34J00-000	530A-3	59382-34J00-000	535A-17
51176-34J20-000	521A-15	54741-33G00-000	530A-5	59480-34J30-000	536A-3
	521A-35	54841-23J00-000	530A-6	59492-30H20-000	536A-1
51177-34J00-000	521A-16	55110-34J00-000	530A-10	59502-34J10-000	536A-2
	521A-36	56111-34J21-000	462A-1	59600-30H30-000	537A-1
51181-34J00-000	521A-17	56211-34J00-291	524A-8	59610-30H00-000	537A-4
	521A-37	56216-34J00-000	462A-2	59665-30H00-000	537A-3
51195-34J00-000	521A-18	56500-34J40-000	462A-3	59665-34J00-000	535A-8
	521A-38	56600-34J40-000	462A-4	59667-30H00-000	537A-6
51196-34J00-000	521A-19	57110-34J00-000	467A-1	59668-30H00-000	537A-13
	521A-39	57211-22D21-291	467A-8	59669-30H00-000	537A-15
51311-34J00-019	524A-3	57300-30H21-000	467A-2	59671-30H00-000	537A-11
51328-34J00-000	524A-4	57315-28G20-000	462A-6	59687-30H20-000	537A-7
51353-34J00-000	524A-5	57318-30H00-000	537A-5	59688-30H00-000	537A-12
51356-34J00-000	524A-6	57421-30H10-000	467A-4	59691-30H00-000	537A-14
51410-34J00-291	524A-1	57431-28G20-000	467A-11	59743-30H00-000	537A-9
51434-34J00-000	524A-2	57431-30H20-000	467A-3	59744-30H00-000	537A-10
51451-34J00-000	521A-20	57433-28G30-000	467A-12	59745-30H00-000	537A-8
	521A-40	57433-30H10-000	467A-5	59746-34J00-000	535A-7
51611-20002-000	524A-12	57451-28G20-000	467A-14	59870-30H00-000	537A-2
51611-33002-000	524A-10	57457-28G20-000	467A-15		
51621-28000-000	524A-14	57460-30H00-000	467A-6		

PART NO.	FIG.NO.-REF.NO.	PART NO.	FIG.NO.-REF.NO.	PART NO.	FIG.NO.-REF.NO.
60000		68666-34J00-AYU	424A-12-1	01550-0516A-000	126A-16
		68666-34J00-AYV	424A-12-2	01550-0610A-000	350A-9
		68666-34J00-AYW	424A-12-3	01550-0612A-000	189A-7
				462A-13	
				01550-0612B-000	536A-6
61000-34J40-000	541A-1			01550-0616A-000	163A-5
61211-23J00-000	541A-8			445A-12	
61251-34J00-000	541A-4			451A-8	
61262-34J00-000	541A-6			424A-7	
61273-34J00-000	541A-9			01550-0616B-000	189A-5
61280-34J00-000	541A-2			01550-0620A-000	189A-5
61311-34J00-000	541A-8			01550-0625A-000	201A-21
61251-34J00-000	541A-4			01550-0630A-000	420A-5
61262-34J00-000	541A-6			01550-0630B-000	451A-13
61273-34J00-000	541A-9			460A-6	
61280-34J00-000	541A-2			01550-0635A-000	550A-9
61410-34J00-000	550A-23			01550-0640A-000	423A-14
61421-30H00-000	550A-24			01550-0812B-000	112A-10
61445-34J00-000	550A-12			01550-0815A-000	415A-19
62100-34J10-YKS	542A-3			01550-0816A-000	401A-3
62658-47H00-000	542A-4			01550-0820B-000	103A-16
62668-30B00-000	542A-5			01550-0825A-000	410A-3
63111-34J00-000	474A-1			415A-6	
63131-34J00-000	474A-2			01550-0835A-000	536A-18
63191-34J00-000	474A-7			01550-0840A-000	163A-11
63311-34J00-000	474A-9			01550-0840B-000	163A-10
64150-34J00-QC3	550A-1			01580-0616A-000	155A-16
64210-28G00-291	550A-2			02112-0510B-000	462A-7
64311-34J00-000	541A-11			02112-0612A-000	206A-12
64441-05J00-000	550A-5			02122-0630A-000	505A-8
64451-30H00-000	550A-8			02142-0512B-000	415A-10
64511-34J20-000	550A-26			02142-0608A-000	423A-13
64611-34J00-000	550A-19			02142-0616A-000	446A-7
64651-35J00-000	550A-20			03211-04203-000	339A-11
64711-34J00-000	550A-11			03541-0416A-000	330A-10
64721-30H00-000	550A-14			446A-5	
64731-34J00-000	550A-17			451A-6	
64741-34J10-000	550A-15			424A-5	
64751-34J00-000	550A-13			339A-4	
64761-34J00-000	550A-21			445A-6	
64831-43J00-000	550A-18			446A-11	
65110-34J00-000	550A-29			446A-12	
68111-34J10-000	423A-17			445A-14	
68136-39J00-000	446A-19			446A-15	
68141-33G90-AY2	446A-20			474A-6	
68171-23J00-000	451A-14			03541-0516B-000	445A-14
	474A-8			445A-15	
68319-39J00-000	496A-1			446A-16	
68332-34J40-000	496A-2			03541-0516A-000	339A-4
68665-34J00-AY1	424A-11-4			445A-6	
68665-34J00-AYU	424A-11-1			446A-11	
68665-34J00-AYV	424A-11-2			446A-12	
68665-34J00-AYW	424A-11-3			445A-14	
68666-34J00-AY1	424A-12-4			446A-15	
				474A-6	
				03541-0520A-000	155A-15
				112A-22	
				03541-0616A-000	474A-5
				04111-2015A-000	212A-30
				550A-37	

PART NO.	FIG.NO.-REF.NO.	PART NO.	FIG.NO.-REF.NO.	PART NO.	FIG.NO.-REF.NO.
04111-2515A-000	415A-11			0407A-10	474A-4
04111-3025A-000	407A-14			550A-25	474A-10
04211-09149-000	108A-2			163A-15	550A-36
	112A-4			541A-14	09159-12056-000
	112A-14			550A-28	542A-6
	112A-23			108A-9	09160-04026-000
	170A-6			08319-3110B-000	330A-9
	212A-14			401A-6	09160-05501-000
	524A-13			530A-7	339A-12
	415A-17			541A-7	09160-06060-000
	524A-11			550A-32	312A-5
	212A-14			550A-38	446A-8
	303A-4			212A-39	460A-4
	303A-13			08331-3112A-000	163A-6
	303A-5			08331-31149-000	163A-14
	206A-36			08331-3120A-000	103A-7
	122A-6			08331-31359-000	212A-38
	212A-15			124A-8	212A-38
	330A-14			206A-9	09160-12011-000
	163A-3			212A-24	201A-18
	201A-15			206A-41	09160-12119-000
	206A-27			240A-14	550A-7
	206A-10			08331-3120A-000	407A-13
	212A-6			08331-31359-000	240A-5
	206A-29			201A-16	09164-09005-000
	550A-22			170A-4	126A-17
	530A-2			08332-11069-000	127A-5
	550A-16			08341-31039-000	112A-11
	212A-8			303A-7	09168-08015-000
	206A-12			301A-13	108A-6
	505A-8			312A-2	09180-06222-000
	415A-18			103A-5	423A-15
	163A-11			103A-4	446A-9
	163A-10			09103-06316-000	163A-7
	155A-16			09103-06508-000	312A-6
	462A-7			09103-08531-000	163A-12
	206A-12			108A-8	09180-10163-000
	212A-8			108A-7	122A-2
	02122-0630A-000			09103-10709-000	541A-5
	02142-0512B-000			09105-08011-000	212A-23
	02142-0608A-000			124A-13	09181-14167-000
	02142-0616A-000			206A-8	09181-20139-000
	03211-04203-000			206A-29	240A-12
	03541-0416A-000			206A-22	09181-28021-000
	446A-5			206A-25	120A-3-2
	451A-6			206A-39	120A-3-1
	424A-5			206A-40	120A-3-3
	339A-4			120A-13	120A-3-4
	445A-6			201A-7	120A-3-5
	446A-11			206A-26	120A-3-6
	446A-12			206A-7	120A-3-7
	445A-14			206A-23	120A-3-8
	446A-15			206A-24	120A-3-9
	474A-6			201A-3	120A-3-10
	03541-0516B-000			201A-8	120A-3-11
	03541-0516A-000			201A-8	120A-3-12
	04111-2015A-000			201A-22	120A-3-13
	550A-37			550A-10	120A-3-14
				312A-7	120A-3-15
				421A-8	09200-06013-000
				303A-6	550A-34
				407A-3	09202-10012-000
				446A-17	122A-3
					09206-08008-000
					103A-3
					126A-9
					103A-9

SUZUKI GSX150L6-2, PART CATALOGUE

1ST EDITION

Published in 2015-9

© 2015 Suzuki Motor Corporation. All rights reserved.

No part of this document may be reproduced or transmitted in any form or by any means, electronic or mechanical, for any purpose, without the express written permission of Suzuki Motor Corporation.

SUZUKI MOTORCYCLE INDIA LIMITED,

Spare Parts Department

Village Kherki Dhaula , Badshahapur,N.H.-8,

Link Road, Gurgaon 12004 (HARYANA)

Reprint Prohibited (S)

1

INFORMATION
ILLUSTRATION INDEX

2

ENGINE
TRANSMISSION

3

ELECTRICAL

4

BODY

5

PARTS NUMBER INDEX

SUZUKI

GSX150L6-2

P74

SUZUKI MOTORCYCLE INDIA PVT. LTD.



9900B-26051-001

9900B-26051-001



Printed in India